



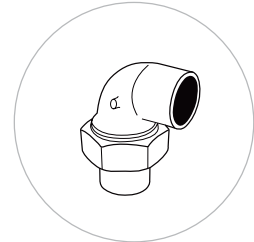
THE BEST FITTINGS IN THE JOINT.™



# COPPER FITTINGS



▶ As originators of the solder-type copper fittings, our commitment to providing the highest quality fittings in the industry holds a special place. Today, our expansive line of **Wednesbury**® Copper Fittings are one of the industry's most complete offerings of fittings for copper piping systems from one source. Included are wrought and cast solder-joint pressure fittings, wrought and cast solder-joint DWV fittings and copper flare fittings. Our many years of engineering know-how and experience are reflected in the fine quality and workmanship of each copper fitting we manufacture.



- Copper Pressure Fittings
- Copper DWV Fittings
- Copper Flare Fittings

  
**Wednesbury**®



# End Feed Fittings

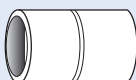
## Specifications of "Wednesbury W"


capillary fittings are produced according to European Standard EN 1254.

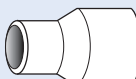
## Working Temperature and Pressure


Maximum operation pressure for corresponding service temperature refers to EN 1254

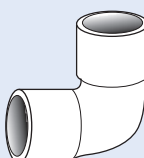


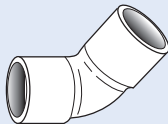
Straight Coupling	Size
Code 201 	15mm
	22mm
	28mm
	35mm
	42mm
	54mm
	67mm
	76mm
	108mm
	133mm
	159mm

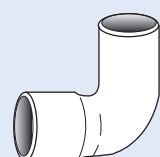
Slip Coupling	Size
Code 221 	15mm
	22mm
	28mm

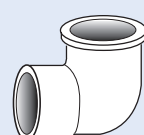
Reducing Coupling	Size
Code 202 	22 - 15mm
	28 - 15mm
	28 - 22mm
	35 - 15mm
	35 - 22mm
	35 - 28mm
	42 - 22mm
	42 - 28mm
	42 - 35mm
	54 - 22mm
	54 - 28mm
	54 - 35mm
	54 - 42mm
	67 - 22mm
	67 - 28mm
	67 - 35mm
	67 - 42mm
	67 - 54mm
	76 - 22mm
	76 - 42mm
	76 - 54mm
	76 - 67mm
	108 - 42mm
	108 - 54mm
108 - 67mm	
108 - 76mm	
133 - 108mm	
159 - 54mm	
159 - 67mm	
159 - 76mm	
159 - 108mm	


Fittings Reducer	Size
Code 203 	22 - 15mm
	28 - 15mm
	28 - 22mm
	35 - 15mm
	35 - 22mm
	35 - 28mm
	42 - 22mm
	42 - 28mm
	42 - 35mm
	54 - 22mm
	54 - 28mm
	54 - 35mm
	54 - 42mm
	67 - 22mm
	67 - 28mm
	67 - 35mm
	67 - 42mm
	67 - 54mm
	76 - 22mm
	76 - 42mm
	76 - 54mm
	76 - 67mm
	108 - 42mm
	108 - 54mm
108 - 67mm	
108 - 76mm	
133 - 108mm	
159 - 54mm	
159 - 67mm	
159 - 76mm	
159 - 108mm	

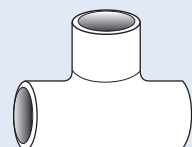
Elbow 90°	Size
Code 204 	15mm
	22mm
	28mm
	35mm
	42mm
	54mm
	67mm
	76mm
	108mm
	133mm
	159mm

Elbow 45°	Size
Code 224 	15mm
	22mm
	28mm
	35mm
	42mm
	54mm
	67mm
	76mm
	108mm
	133mm
	159mm

Street Elbow 90° MxF	Size
Code 213 	15mm
	22mm
	28mm
	35mm
	42mm
54mm	

Reducing Elbow CxC	Size
Code 216 	22-15mm

End Cap	Size
Code 219 	15mm
	22mm
	28mm
	35mm
	42mm
	54mm
	67mm
	76mm
	108mm
133mm	
159mm	

Equal Tee	Size
Code 205 	15mm
	22mm
	28mm
	35mm
	42mm
	54mm
	67mm
	76mm
	108mm
	133mm
	159mm

# End Feed Fittings

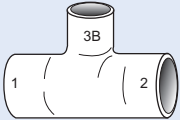
## Specifications of "Wednesbury W"

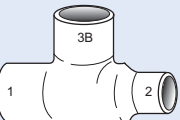
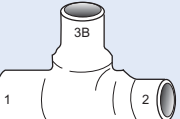
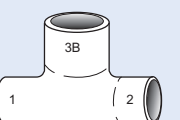
capillary fittings are produced according to European Standard EN 1254.


## Working Temperature and Pressure

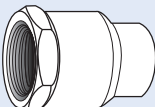
Maximum operation pressure for corresponding service temperature refers to EN 1254

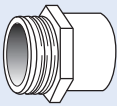


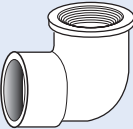
Reducing Tee B Denotes Branch	Size
<b>Code 206</b> 	22- 22- 15B
	28- 28- 15B
	28- 28- 22B
	35- 35- 15B
	35- 35- 22B
	35- 35- 28B
	42- 42- 15B
	42- 42- 22B
	42- 42- 28B
	42- 42- 35B
	54- 54- 15B
	54- 54- 22B
	54- 54- 28B
	54- 54- 35B
	54- 54- 42B
	67- 67- 15B
	67- 67- 22B
	67- 67- 28B
	67- 67- 35B
	67- 67- 42B
	67- 67- 54B
	76- 76- 15B
	76- 76- 22B
	76- 76- 28B
	76- 76- 35B
	76- 76- 42B
	76- 76- 54B
	76- 76- 67B
	108-108- 22B
	108-108- 28B
	108-108- 35B
	108-108- 42B
	108-108- 54B
108-108- 67B	
108-108- 76B	
133-133-108B	
159-159- 54B	
159-159- 67B	
159-159- 76B	
159-159-108B	

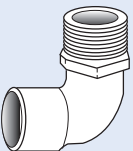
Reducing Tee B Denotes Branch	Size
<b>Code 210</b>   	22 - 15 - 15B
	22 - 15 - 22B
	28 - 22 - 22B
	15 - 15 - 22B
22 - 22 - 28B	

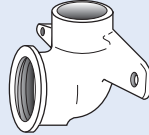
Bushing FixMi	Size
<b>Code 225</b> 	1/2" - 3/8"
	3/4" - 1/2"
	1" - 1/2"
	1" - 3/4"
	1 1/4" - 1/2"
	1 1/4" - 3/4"
	1 1/4" - 1"
	1 1/2" - 3/4"
	1 1/2" - 1"
	1 1/2" - 1 1/4"
	2" - 1"
	2" - 1 1/4"
	2" - 1 1/2"
2 1/2" - 2"	
3" - 2 1/2"	
4" - 3"	

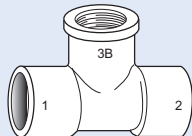
Straight Connector Fi	Size
<b>Code 211</b> 	15mm - 1/2"
	22mm - 1/2"
	22mm - 3/4"
	28mm - 1"
	35mm - 1 1/4"
	42mm - 1 1/2"
	54mm - 2"
	67mm - 2 1/2"
	76mm - 3"
	108mm - 4"

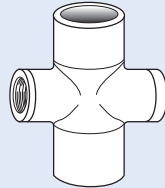
Straight Connector Mi	Size
<b>Code 212</b> 	15mm - 1/2"
	22mm - 3/4"
	28mm - 1"
	35mm - 1 1/4"
	42mm - 1 1/2"
	54mm - 2"
	67mm - 2 1/2"
	76mm - 3"
	108mm - 4"

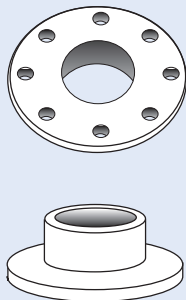
Elbow CxFi	Size
<b>Code 217</b> 	15mm - 1/2"
	22mm - 1/2"
	22mm - 3/4"
	28mm - 1"

Elbow CxMi	Size
<b>Code 218</b> 	15mm - 1/2"
	22mm - 3/4"
	28mm - 1"

Wall Plate Elbow CxFi	Size
<b>Code 215</b> 	15mm - 1/2"
	22mm - 3/4"

Tee CxCxFi	Size
<b>Code 207</b> 	22 - 22 - 1/2"
	35 - 35 - 3/4"
	35 - 35 - 1"
	42 - 42 - 3/4"
	42 - 42 - 1"
	54 - 54 - 3/4"
	54 - 54 - 1"

Cross CxFi	Size
<b>Code 208</b> 	35mm - 3/4"
	35mm - 1"
	42mm - 3/4"
	42mm - 1"
	54mm - 3/4"
	54mm - 1"

Steel Flange with copper alloy Collar (BS 4504 PN16)	Size
<b>Code 209</b> 	35mm - 1 1/4"
	42mm - 1 1/2"
	54mm - 2"
	67mm - 2 1/2"
	76mm - 3"
	108mm - 4"
	159mm - 6"