

SK-I STAINLESS STEEL BUTT-WELDING FITTINGS

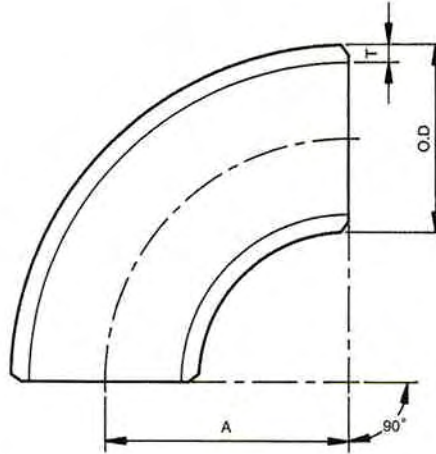
Stainless Steel

• Simple • Keen • Installation

SK-I

SK-I Stainless Steel Series

90° LONG RADIUS ELBOWS (1/2" - 48")



DIMENSIONS

(unit : inch / mm)

Nominal Pipe Size	Outside Diameter (O.D.)	Wall Thickness(T)				Center to End A
		SCH 5S	SCH 10S	SCH 40S	SCH 80S	
1/2"	0.840	0.065	0.083	0.109	0.147	1.500
	21.34	1.65	2.11	2.77	3.73	3.81
3/4"	1.050	0.065	0.083	0.113	0.154	1.120
	26.67	1.65	2.11	2.87	3.91	28.45
1"	1.315	0.065	0.109	0.133	0.179	1.500
	33.40	1.65	2.77	3.38	4.55	38.10
1-1/4"	1.660	0.065	0.109	0.140	0.191	1.880
	42.16	1.65	2.77	3.56	4.85	47.75
1-1/2"	1.900	0.065	0.109	0.145	0.200	2.250
	48.26	1.65	2.77	3.68	5.08	57.15
2"	2.375	0.065	0.109	0.154	0.218	3.000
	60.32	1.65	2.77	3.91	5.54	76.20
2-1/2"	2.875	0.083	0.120	0.203	0.276	3.750
	73.02	2.11	3.05	5.16	7.01	95.25
3"	3.500	0.083	0.120	0.216	0.300	4.500
	88.90	2.11	3.05	5.49	7.62	114.30
3-1/2"	4.000	0.083	0.120	0.226	0.318	5.250
	101.60	2.11	3.05	5.74	8.08	133.35
4"	4.500	0.083	0.120	0.237	0.337	6.000
	114.30	2.11	3.05	6.02	8.56	152.40
5"	5.563	0.109	0.134	0.258	0.375	7.500
	141.30	2.77	3.40	6.55	9.53	190.50
6"	6.6250	0.109	0.134	0.280	0.432	9.000
	168.27	2.77	3.40	7.11	10.97	228.60
8"	8.625	0.109	0.148	0.322	0.500	12.000
	219.08	2.77	3.76	8.18	12.70	304.08
10"	10.750	0.134	0.165	0.365	0.500	15.000
	273.05	3.40	4.19	9.27	12.70	381.00
12"	12.750	0.156	0.180	0.375	0.500	18.000
	323.85	3.96	4.57	9.53	12.70	457.20

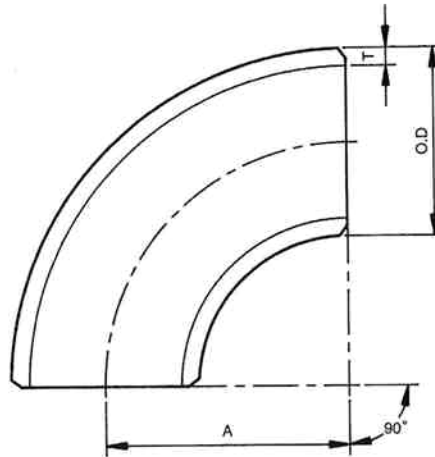
WEIGHTS

(unit : kg)

Nominal Pipe Size	SCH 5S	SCH 10S	SCH 40S	SCH 80S
1/2"	0.049	0.061	0.078	0.100
3/4"	0.062	0.078	0.103	0.104
1"	0.078	0.128	0.154	0.204
1-1/4"	0.125	0.206	0.260	0.349
1-1/2"	0.170	0.283	0.368	0.507
2"	0.286	0.478	0.652	0.938
2-1/2"	0.576	0.812	1.370	1.790
3"	0.810	1.140	2.040	2.870
3-1/2"	1.080	1.530	2.820	4.100
4"	1.390	1.970	3.840	5.620
5"	2.830	3.420	6.480	9.690
6"	4.030	4.870	9.940	15.990
8"	7.060	10.000	20.100	32.160
10"	13.200	15.500	35.400	49.830
12"	22.300	25.900	56.200	72.480

SK-I Stainless Steel Series

90° LONG RADIUS ELBOWS (1/2" - 48")



DIMENSIONS

(unit : inch / mm)

Nominal Pipe Size	Outside Diameter (O.D.)	Wall Thickness(T)				Center to End A
		SCH 10S	SCH 20	Std.	XS	
14"	14.000	0.188	0.312	0.375	0.500	21.000
	355.60	4.78	7.92	9.53	12.70	533.40
16"	16.000	0.188	0.312	0.375	0.500	24.000
	406.40	4.78	7.92	9.53	12.70	609.60
18"	18.000	0.188	0.312	0.375	0.500	27.000
	457.20	4.78	7.92	9.53	12.70	685.80
20"	20.000	0.218	0.375	0.375	0.500	30.000
	508.00	5.54	9.53	9.53	12.70	762.00
22"	22.000	0.218	0.375	0.375	0.500	33.000
	558.80	5.54	9.53	9.53	12.70	838.20
24"	24.000	0.250	0.375	0.375	0.500	36.000
	609.60	6.35	9.53	9.53	12.70	914.40
26"	26.000	0.312	0.500	0.375	0.500	39.000
	660.40	7.92	12.70	9.53	12.70	990.60
28"	28.000	0.312	0.500	0.375	0.500	42.000
	711.20	7.92	12.70	9.53	12.70	1066.80
30"	30.000	0.312	0.500	0.375	0.500	45.000
	762.00	7.92	12.70	9.53	12.70	1143.00
32"	32.000	0.312	0.500	0.375	0.500	48.000
	812.80	7.92	12.70	9.53	12.70	1219.20
34"	34.000	0.312	0.500	0.375	0.500	51.000
	863.60	7.92	12.70	9.53	12.70	1295.40
36"	36.000	0.312	0.500	0.375	0.500	54.000
	914.40	7.92	12.70	9.53	12.70	1371.60
38"	38.000	0.312		0.375	0.500	57.000
	965.20	7.92		9.53	12.70	1447.80
40"	40.000	0.312		0.375	0.500	60.000
	1016.00	7.92		9.53	12.70	1524.00
42"	42.000	0.312		0.375	0.500	63.000
	1066.80	7.92		9.53	12.70	1600.20
44"	44.000	0.312		0.375	0.500	66.000
	1117.60	7.92		9.53	12.70	1676.40
46"	46.000	0.312		0.375	0.500	69.000
	1168.40	7.92		9.53	12.70	1752.60
48"	48.000	0.312		0.375	0.500	72.000
	1219.20	7.92		9.53	12.70	1828.80

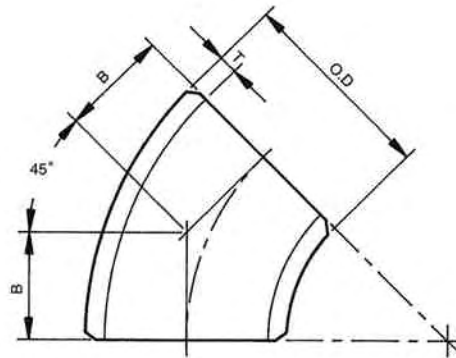
WEIGHTS

(unit : kg)

Nominal Pipe Size	SCH 10S	SCH 20	Std.	XS
14"	34.600	57.580	66.360	85.530
16"	45.200	70.030	87.110	112.340
18"	57.300	89.010	110.670	142.790
20"	82.000	136.990	136.990	176.900
22"	99.400	163.030	163.030	210.830
24"	136.000	198.050	198.050	256.130
26"	198.000	296.760	229.170	296.530
28"	230.000	345.050	266.500	344.960
30"	264.000	397.150	306.590	396.740
32"	301.000	453.000	349.530	452.680
34"	339.000	512.160	395.240	511.980
36"	381.000	575.130	443.710	574.950
38"	425.000		497.710	644.750
40"	471.000		551.980	715.510
42"	520.000		606.160	785.770
44"	571.000		669.040	867.400
46"	624.000		731.690	948.810
48"	679.000		797.280	1033.840

SK-I Stainless Steel Series

45° LONG RADIUS ELBOWS (1/2" - 48")



DIMENSIONS

(unit : inch / mm)

Nominal Pipe Size	Outside Diameter (O.D.)	Wall Thickness(T)				Center to End B
		SCH 5S	SCH 10S	SCH 40S	SCH 80S	
1/2"	0.840	0.065	0.083	0.109	0.147	0.625
	21.34	1.65	2.11	2.77	3.73	15.88
3/4"	1.050	0.065	0.083	0.113	0.154	0.438
	26.67	1.65	2.11	2.87	3.91	11.13
1"	1.315	0.065	0.109	0.133	0.179	0.875
	33.40	1.65	2.77	3.38	4.55	22.22
1-1/4"	1.660	0.065	0.109	0.140	0.191	1.000
	42.16	1.65	2.77	3.56	4.85	25.40
1-1/2"	1.900	0.065	0.109	0.145	0.200	1.120
	48.26	1.65	2.77	3.68	5.08	28.45
2"	2.375	0.065	0.109	0.154	0.218	1.380
	60.32	1.65	2.77	3.91	5.54	35.05
2-1/2"	2.875	0.083	0.120	0.203	0.276	1.750
	73.02	2.11	3.05	5.16	7.01	44.45
3"	3.500	0.083	0.120	0.216	0.300	2.000
	88.90	2.11	3.05	5.49	7.62	50.80
3-1/2"	4.000	0.083	0.120	0.226	0.318	2.250
	101.60	2.11	3.05	5.74	8.08	57.15
4"	4.500	0.083	0.120	0.237	0.337	2.500
	114.30	2.11	3.05	6.02	8.56	63.50
5"	5.563	0.109	0.134	0.258	0.375	3.120
	141.30	2.77	3.40	6.55	9.53	79.25
6"	6.625	0.109	0.134	0.280	0.432	3.750
	168.27	2.77	3.40	7.11	10.97	95.25
8"	8.625	0.109	0.148	0.322	0.500	5.000
	219.08	2.77	3.76	8.18	12.70	127.00
10"	10.750	0.134	0.165	0.365	0.500	6.250
	273.05	3.40	4.19	9.27	12.70	158.75
12"	12.750	0.156	0.180	0.375	0.500	7.500
	323.85	3.96	4.57	9.53	12.70	190.50

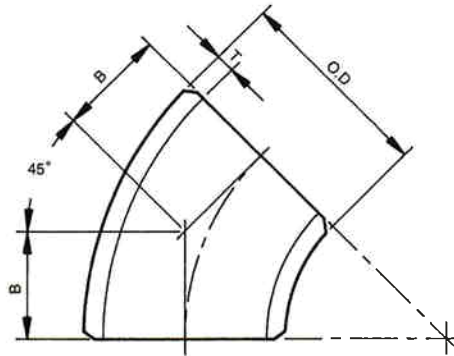
WEIGHTS

(unit : kg)

Nominal Pipe Size	SCH 5S	SCH 10S	SCH 40S	SCH 80S
1/2"	0.024	0.030	0.039	0.050
3/4"	0.031	0.039	0.052	0.078
1"	0.039	0.064	0.077	0.100
1-1/4"	0.063	0.103	0.130	0.177
1-1/2"	0.085	0.142	0.184	0.254
2"	0.143	0.239	0.326	0.471
2-1/2"	0.288	0.406	0.683	0.897
3"	0.405	0.571	1.020	1.440
3-1/2"	0.540	0.764	1.410	2.050
4"	0.696	0.985	1.920	2.810
5"	1.420	1.710	3.240	4.850
6"	2.010	2.430	4.970	8.020
8"	3.530	5.010	10.100	16.220
10"	6.620	7.770	17.700	25.370
12"	11.100	12.500	28.100	36.690

SK-I Stainless Steel Series

45° LONG RADIUS ELBOWS (1/2" - 48")



DIMENSIONS

(unit : inch / mm)

Nominal Pipe Size	Outside Diameter (O.D.)	Wall Thickness(T)				Center to End B
		SCH 10S	SCH 20	Std.	XS	
14"	14.000	0.188	0.312	0.375	0.500	8.750
	355.60	4.78	7.92	9.53	12.70	222.25
16"	16.000	0.188	0.312	0.375	0.500	10.000
	406.40	4.78	7.92	9.53	12.70	254.00
18"	18.000	0.188	0.312	0.375	0.500	11.250
	457.20	4.78	7.92	9.53	12.70	285.75
20"	20.000	0.218	0.375	0.375	0.500	12.500
	508.00	5.54	9.53	9.53	12.70	317.50
22"	22.000	0.218	0.375	0.375	0.500	13.500
	558.80	5.54	9.53	9.53	12.70	342.90
24"	24.000	0.250	0.375	0.375	0.500	15.000
	609.60	6.35	9.53	9.53	12.70	381.00
26"	26.000	0.312	0.500	0.375	0.500	16.000
	660.40	7.92	12.70	9.53	12.70	406.40
28"	28.000	0.312	0.500	0.375	0.500	17.250
	711.20	7.92	12.70	9.53	12.70	438.15
30"	30.000	0.312	0.500	0.375	0.500	18.500
	762.00	7.92	12.70	9.53	12.70	469.90
32"	32.000	0.312	0.500	0.375	0.500	19.750
	812.80	7.92	12.70	9.53	12.70	501.65
34"	34.000	0.312	0.500	0.375	0.500	21.000
	863.60	7.92	12.70	9.53	12.70	533.40
36"	36.000	0.312	0.500	0.375	0.500	22.250
	914.40	7.92	12.70	9.53	12.70	565.15
38"	38.000	0.312		0.375	0.500	23.620
	965.20	7.92		9.53	12.70	599.95
40"	40.000	0.312		0.375	0.500	24.880
	1016.00	7.92		9.53	12.70	631.95
42"	42.000	0.312		0.375	0.500	26.000
	1066.80	7.92		9.53	12.70	660.40
44"	44.000	0.312		0.375	0.500	27.380
	1117.60	7.92		9.53	12.70	695.45
46"	46.000	0.312		0.375	0.500	28.620
	1168.40	7.92		9.53	12.70	726.95
48"	48.000	0.312		0.375	0.500	29.880
	1219.20	7.92		9.53	12.70	758.95

WEIGHTS

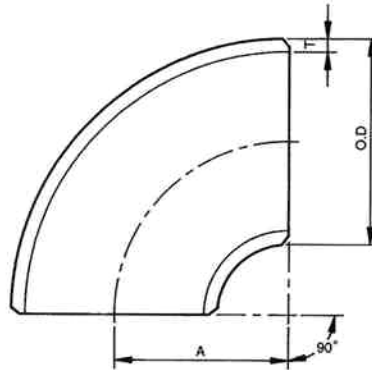
(unit : kg)

Nominal Pipe Size	SCH 10S	SCH 20	Std.	XS
14"	17.300	28.630	32.930	42.400
16"	22.600	34.840	43.310	55.760
18"	28.700	44.210	54.990	70.940
20"	41.000	68.130	68.130	88.020
22"	49.700	81.130	81.130	104.870
24"	68.000	98.570	98.570	127.520
26"	99.000	147.630	114.110	147.680
28"	115.000	171.820	132.730	171.820
30"	132.000	197.780	152.750	197.780
32"	151.000	225.590	156.240	225.590
34"	170.000	255.220	196.960	255.130
36"	191.000	286.660	221.200	286.570
38"	213.000		248.150	321.580
40"	236.000		257.350	356.690
42"	260.000		301.340	391.850
44"	286.000		333.680	432.660
46"	312.000		365.070	473.250
48"	340.000		397.690	515.740

* Std ** XS

SK-I Stainless Steel Series

90° SHORT RADIUS ELBOWS (1" - 24")



DIMENSIONS

(unit : inch / mm)

Nominal Pipe Size	Outside Diameter (O.D.)	Wall Thickness(T)				Center to End A
		SCH 5S	SCH 10S	SCH 40S	SCH 80S	
1"	1.315	0.065	0.109	0.133	0.179	1.000
	33.40	1.65	2.77	3.38	4.55	25.40
1-1/4"	1.660	0.065	0.109	0.140	0.191	1.250
	42.16	1.65	2.77	3.56	4.85	31.75
1-1/2"	1.900	0.065	0.109	0.145	0.200	1.500
	48.26	1.65	2.77	3.68	5.08	38.10
2"	2.375	0.065	0.109	0.154	0.218	2.000
	60.32	1.65	2.77	3.91	5.54	50.80
2-1/2"	2.875	0.083	0.120	0.203	0.276	2.500
	73.02	2.11	3.05	5.16	7.01	63.50
3"	3.500	0.083	0.120	0.216	0.300	3.000
	88.90	2.11	3.05	5.49	7.62	76.20
3-1/2"	4.000	0.083	0.120	0.226	0.318	3.500
	101.60	2.11	3.05	5.74	8.08	88.90
4"	4.500	0.083	0.120	0.237	0.337	4.000
	114.30	2.11	3.05	6.02	8.56	101.60
5"	5.563	0.109	0.134	0.258	0.375	5.000
	141.30	2.77	3.40	6.55	9.53	127.00
6"	6.625	0.109	0.134	0.280	0.432	6.000
	168.27	2.77	3.40	7.11	10.97	152.40
8"	8.625	0.109	0.148	0.322	0.500	8.000
	219.08	2.77	3.76	8.18	12.70	203.20
10"	10.750	0.134	0.165	0.365	0.500	10.000
	273.05	3.40	4.19	9.27	12.70	254.00
12"	12.750	0.156	0.180	0.375	0.500	12.000
	323.85	3.96	4.57	9.53	12.70	304.80
14"	14.000	0.156	0.188	* 0.375	** 0.500	14.000
	355.60	3.96	4.78	9.53	12.70	355.60
16"	16.000	0.156	0.188	* 0.375	** 0.500	16.000
	406.40	3.96	4.78	9.53	12.70	406.40
18"	18.000	0.156	0.188	* 0.375	** 0.500	18.000
	457.20	3.96	4.78	9.53	12.70	457.20
20"	20.000	0.188	0.218	* 0.375	** 0.500	20.000
	508.00	4.78	5.54	9.53	12.70	508.00
22"	22.000	0.188	0.218	* 0.375	** 0.500	22.000
	558.80	4.78	5.54	9.53	12.70	558.80
24"	24.000	0.218	0.250	* 0.375	** 0.500	24.000
	609.60	5.54	6.35	9.53	12.70	609.60

WEIGHTS

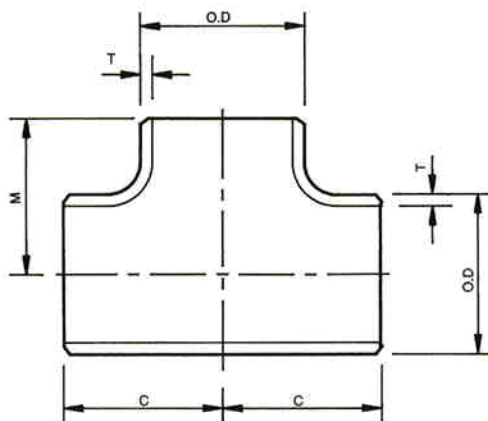
(unit : kg)

Nominal Pipe Size	SCH 5S	SCH 10S	SCH 40S	SCH 80S
1"	0.077	0.094	0.118	0.122
1-1/4"	0.101	0.152	0.204	0.217
1-1/2"	0.114	0.189	0.245	0.317
2"	0.191	0.318	0.434	0.593
2-1/2"	0.383	0.541	0.909	1.130
3"	0.540	0.761	1.360	1.820
3-1/2"	0.719	1.020	1.880	2.610
4"	0.928	1.310	2.560	3.560
5"	1.890	2.280	4.320	6.200
6"	2.680	3.240	6.630	10.260
8"	4.710	6.680	13.400	20.840
10"	8.830	10.400	23.600	32.940
12"	14.800	16.700	37.500	47.300
14"	15.210	24.550	* 48.33	** 59.25
16"	25.600	32.000	* 63.37	** 81.81
18"	40.400	40.400	* 73.57	** 103.96
20"	50.420	60.250	* 99.66	** 128.79
22"	61.060	73.020	* 120.83	** 156.29
24"	86.980	101.560	* 144.06	** 186.41

* Std ** XS

SK-I Stainless Steel Series

EQUAL TEES (1/2"~24")



DIMENSIONS

(unit : inch / mm)

WEIGHTS

(unit : kg)

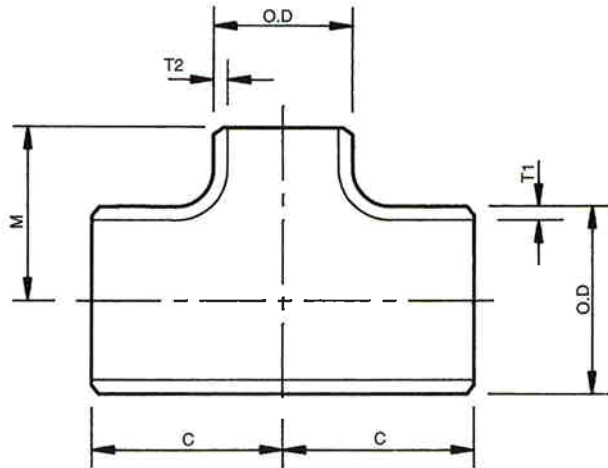
Nominal Pipe Size	Outside Diameter (O.D.)	Wall Thickness(T)				Center to End C, M
		SCH 5S	SCH 10S	SCH 40S	SCH 80S	
1/2"	0.840	0.065	0.083	0.109	0.147	1.000
	21.34	1.65	2.11	2.77	3.73	25.40
3/4"	1.050	0.065	0.083	0.113	0.154	1.130
	26.67	1.65	2.11	2.87	3.91	28.70
1"	1.315	0.065	0.109	0.133	0.179	1.500
	33.40	1.65	2.77	3.38	4.55	38.10
1-1/4"	1.660	0.065	0.109	0.140	0.191	1.880
	42.16	1.65	2.77	3.56	4.85	47.75
1-1/2"	1.900	0.065	0.109	0.145	0.200	2.250
	48.26	1.65	2.77	3.68	5.08	57.15
2"	2.375	0.065	0.109	0.154	0.218	2.500
	60.32	1.65	2.77	3.91	5.54	63.50
2-1/2"	2.875	0.083	0.120	0.203	0.276	3.000
	73.02	2.11	3.05	5.16	7.01	76.20
3"	3.500	0.083	0.120	0.216	0.300	3.380
	88.90	2.11	3.05	5.49	7.62	85.85
4"	4.500	0.083	0.120	0.237	0.337	4.130
	114.30	2.11	3.05	6.02	8.56	104.90
5"	5.563	0.109	0.134	0.258	0.375	4.880
	141.30	2.77	3.40	6.55	9.53	123.95
6"	6.625	0.109	0.134	0.280	0.432	5.630
	168.27	2.77	3.40	7.11	10.97	143.00
8"	8.625	0.109	0.148	0.322	0.500	7.000
	219.08	2.77	3.76	8.18	12.70	177.80
10"	10.750	0.134	0.165	0.365	0.500	8.500
	273.05	3.40	4.19	9.27	12.70	215.90
12"	12.750	0.156	0.180	0.375	0.500	10.000
	323.85	3.96	4.57	9.53	12.70	254.00
14"	14.000	0.156	0.188	* 0.375	** 0.500	11.000
	355.60	3.96	4.78	9.53	12.70	279.40
16"	16.000	0.165	0.188	* 0.375	** 0.500	12.000
	406.40	3.96	4.78	9.53	12.70	304.80
18"	18.000	0.165	0.188	* 0.375	** 0.500	13.500
	457.20	3.96	4.78	9.53	12.70	342.90
20"	20.000	0.188	0.218	* 0.375	** 0.500	15.000
	508.00	4.78	5.54	9.53	12.70	381.00
22"	22.000	0.188	0.218	* 0.375	** 0.500	16.500
	558.80	4.78	5.54	9.53	12.70	419.10
24"	24.000	0.218	0.250	* 0.375	** 0.500	17.000
	609.60	5.54	6.35	9.53	12.70	431.80

Nominal Pipe Size	SCH 5S	SCH 10S	SCH 40S	SCH 80S
1/2"	0.090	0.090	0.181	0.204
3/4"	0.129	0.129	0.258	0.294
1"	0.223	0.223	0.256	0.399
1-1/4"	0.356	0.356	0.463	0.725
1-1/2"	0.497	0.497	0.648	1.020
2"	0.681	0.681	0.893	1.810
2-1/2"	1.200	1.200	1.980	3.170
3"	1.570	1.570	2.610	3.850
4"	2.460	2.460	4.760	7.110
5"	4.040	4.040	7.840	11.780
6"	5.500	5.500	9.540	18.120
8"	11.070	11.070	19.560	33.980
10"	19.870	19.870	32.610	47.570
12"	27.860	27.860	56.650	72.480
14"	28.740	35.980	* 71.210	** 91.780
16"	35.690	44.690	* 88.560	** 114.230
18"	45.210	56.620	* 112.330	** 144.980
20"	69.970	83.690	* 138.990	** 179.660
22"	84.720	101.350	* 170.070	** 217.460
24"	113.230	132.240	* 192.660	** 243.130

* Std ** XS

SK-I Stainless Steel Series

REDUCING TEES (3/4" x 1/2" - 24" x 22")



DIMENSIONS

(unit : inch / mm)

Nominal Pipe Size	Out - Side Dia. OD1	Out - Side Dia. OD2	Wall Thickness(T1, T2)								Center to End C	Center to End M	
			SCH 5S		SCH 10S		SCH 40S		SCH 80S				
			T1	T2	T1	T2	T1	T2	T1	T2			
3/4"	1/2"	1.050	0.840	0.065	0.065	0.083	0.083	0.113	0.109	0.154	0.147	1.13	1.13
		26.67	21.34	1.65	1.65	2.11	2.11	2.87	2.77	3.91	3.73	28.70	28.70
1"	1/2"	1.315	0.840	0.065	0.065	0.109	0.083	0.133	0.109	0.179	0.147	1.50	1.50
		33.40	21.34	1.65	1.65	2.77	2.11	3.38	2.77	4.55	3.73	38.10	38.10
1"	3/4"	1.315	1.050	0.065	0.065	0.109	0.083	0.133	0.113	0.179	0.154	1.50	1.50
		33.40	26.67	1.65	1.65	2.77	2.11	3.38	2.87	4.55	3.91	38.10	38.10
1-1/4"	3/4"	1.660	1.050	0.065	0.065	0.109	0.083	0.140	0.113	0.191	0.154	1.88	1.88
		42.16	26.67	1.65	1.65	2.77	2.11	3.56	2.87	4.85	3.91	47.75	47.75
1-1/4"	1"	1.660	1.315	0.065	0.065	0.109	0.109	0.140	0.133	0.191	0.179	1.88	1.88
		42.16	33.40	1.65	1.65	2.77	2.77	3.56	3.38	4.85	4.55	47.75	47.75
1-1/2"	1/2"	1.900	0.840	0.065	0.065	0.109	0.083	0.145	0.109	0.200	0.147	2.25	2.25
		48.26	21.34	1.65	1.65	2.77	2.11	3.68	2.77	5.08	3.73	57.15	57.15
1-1/2"	3/4"	1.900	1.050	0.065	0.065	0.109	0.083	0.145	0.113	0.200	0.154	2.25	2.25
		48.26	26.67	1.65	1.65	2.77	2.11	3.68	2.87	5.08	3.91	57.15	57.15
1-1/2"	1"	1.900	1.315	0.065	0.065	0.109	0.109	0.145	0.133	0.200	0.179	2.25	2.25
		48.26	33.40	1.65	1.65	2.77	2.77	3.68	3.38	5.08	4.55	57.15	57.15
1-1/2"	1-1/4"	1.900	1.660	0.065	0.065	0.109	0.109	0.145	0.140	0.200	0.191	2.25	2.25
		48.26	42.16	1.65	1.65	2.77	2.77	3.68	3.56	5.08	4.85	57.15	57.15
2"	3/4"	2.375	1.050	0.065	0.065	0.109	0.033	0.154	0.113	0.218	0.154	2.50	1.75
		60.32	26.67	1.65	1.65	2.77	0.84	3.91	2.87	5.54	3.91	63.50	44.45
2"	1"	2.375	1.315	0.065	0.065	0.109	0.109	0.154	0.133	0.218	0.179	2.50	2.00
		60.32	33.40	1.65	1.65	2.77	2.77	3.91	3.38	5.54	4.55	63.50	50.80
2"	1-1/4"	2.375	1.660	0.065	0.065	0.109	0.109	0.154	0.140	0.218	0.191	2.50	2.25
		60.32	42.16	1.65	1.65	2.77	2.77	3.91	3.56	5.54	4.85	63.50	57.15
2"	1-1/2"	2.375	1.900	0.065	0.065	0.109	0.109	0.154	0.145	0.218	0.200	2.50	2.38
		60.32	48.26	1.65	1.65	2.77	2.77	3.91	3.68	5.54	5.08	63.50	60.45

WEIGHTS

(unit : kg)

Nominal Pipe Size	Run	Outlet	SCH 5S	SCH 10S	SCH 40S	SCH 80S
			3/4"	1/2"	0.083	0.123
1"	1/2"	0.187	0.204	0.234	0.349	
1"	3/4"	0.187	0.212	0.244	0.353	
1-1/4"	3/4"	0.290	0.327	0.423	0.612	
1-1/4"	1"	0.312	0.339	0.441	0.643	
1-1/2"	1/2"	0.397	0.431	0.561	0.897	
1-1/2"	3/4"	0.397	0.446	0.578	0.901	
1-1/2"	1"	0.421	0.461	0.600	0.929	
1-1/2"	1-1/4"	0.442	0.482	0.629	0.978	
2"	3/4"	0.625	0.702	1.110	1.440	
2"	1"	0.643	0.725	1.140	1.460	
2"	1-1/4"	0.680	0.747	1.180	1.510	
2"	1-1/2"	0.734	0.766	1.230	1.570	

SK-I Stainless Steel Series

REDUCING TEES (3/4" x 1/2" - 24" x 22")

DIMENSIONS

(unit : inch / mm)

WEIGHTS

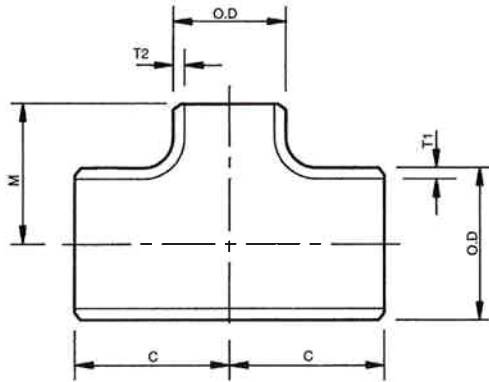
(unit : kg)

Run	Outlet	Nominal Pipe Size	Out - Side Dia. OD1	Out - Side Dia. OD2	Wall Thickness(T1, T2)								Center to End C	Center to End M
					SCH 5S		SCH 10S		SCH 40S		SCH 80S			
					T1	T2	T1	T2	T1	T2	T1	T2		
2-1/2"	1-1/2"	2.875	1.900	0.083	0.065	0.120	0.109	0.203	0.145	0.276	0.200	3.00	2.63	
		73.02	48.26	2.11	1.65	3.05	2.77	5.16	3.68	7.01	5.08	76.20	66.80	
2-1/2"	2"	2.875	2.375	0.083	0.065	0.120	0.109	0.203	0.154	0.276	0.218	3.00	2.75	
		73.02	60.32	2.11	1.65	3.05	2.77	5.16	3.91	7.01	5.54	76.20	69.85	
3"	1-1/2"	3.500	1.900	0.083	0.065	0.120	0.109	0.216	0.145	0.300	0.200	3.13	2.88	
		88.90	48.26	2.11	1.65	3.05	2.77	5.49	3.68	7.62	5.08	79.50	73.15	
3"	2"	3.500	2.375	0.083	0.065	0.120	0.109	0.216	0.154	0.300	0.218	3.38	3.00	
		88.90	60.32	2.11	1.65	3.05	2.77	5.49	3.91	7.62	5.54	85.85	76.20	
3"	2-1/2"	3.500	2.875	0.083	0.830	0.120	0.120	0.216	0.203	0.300	0.276	3.88	3.25	
		88.90	73.02	2.11	2.11	3.05	3.05	5.49	5.16	7.62	7.01	85.85	82.55	
4"	1-1/2"	4.500	1.900	0.083	0.065	0.120	0.109	0.237	0.145	0.337	0.200	4.13	3.38	
		114.30	48.26	2.11	1.65	3.05	2.77	6.02	3.68	8.56	5.08	104.90	85.85	
4"	2"	4.500	2.375	0.083	0.065	0.120	0.109	0.237	0.154	0.337	0.218	4.13	3.50	
		114.30	60.32	2.11	1.65	3.05	2.77	6.02	3.91	8.56	5.54	104.90	88.90	
4"	2-1/2"	4.500	2.875	0.083	0.083	0.120	0.120	0.237	0.203	0.337	0.276	4.13	3.75	
		114.30	73.02	2.11	2.11	3.05	3.05	6.02	5.16	8.56	7.01	104.90	95.25	
4"	3"	4.500	3.500	0.083	0.083	0.120	0.120	0.237	0.216	0.337	0.300	4.13	3.88	
		114.30	88.90	2.11	2.11	3.05	3.05	6.02	5.49	8.56	7.62	104.90	98.55	
5"	3"	5.563	3.500	0.109	0.083	0.134	0.120	0.258	0.216	0.375	0.300	4.88	4.38	
		141.30	88.90	2.77	2.11	3.40	3.05	6.55	5.49	9.53	7.62	123.95	111.25	
5"	4"	5.563	4.500	0.109	0.083	0.134	0.120	0.258	0.237	0.375	0.337	4.88	4.63	
		141.30	114.30	2.77	2.11	3.40	3.05	6.55	6.02	9.53	8.56	123.95	117.60	
6"	2-1/2"	6.625	2.875	0.109	0.083	0.134	0.120	0.280	0.203	0.432	0.276	5.63	4.75	
		168.27	73.02	2.77	2.11	3.40	3.05	7.11	5.16	10.97	7.01	143.00	120.65	
6"	3"	6.625	3.500	0.109	0.083	0.134	0.120	0.280	0.216	0.432	0.300	5.63	4.88	
		168.27	88.90	2.77	2.11	3.40	3.05	7.11	5.49	10.97	7.62	143.00	123.95	
6"	4"	6.625	4.500	0.109	0.083	0.134	0.120	0.280	0.237	0.432	0.337	5.63	5.13	
		168.27	114.30	2.77	2.11	3.40	3.05	7.11	6.02	10.97	8.56	143.00	130.30	
6"	5"	6.625	5.563	0.109	0.109	0.134	0.134	0.280	0.258	0.432	0.375	5.63	5.38	
		168.27	141.30	2.77	2.77	3.40	3.40	7.11	6.55	10.97	9.53	143.00	136.65	
8"	4"	8.625	4.500	0.109	0.083	0.148	0.120	0.322	0.237	0.500	0.337	7.00	6.13	
		219.08	114.30	2.77	2.11	3.76	3.05	8.18	6.02	12.70	8.56	177.80	155.70	
8"	5"	8.625	5.563	0.109	0.109	0.148	0.134	0.322	0.258	0.500	0.375	7.00	6.38	
		219.08	141.30	2.77	2.77	3.76	3.40	8.18	6.55	12.70	9.53	177.80	162.05	
8"	6"	8.625	6.625	0.109	0.109	0.148	0.134	0.322	0.280	0.500	0.432	7.00	6.63	
		219.08	168.27	2.77	2.77	3.76	3.40	8.18	7.11	12.70	10.97	177.80	168.40	
10"	5"	10.750	5.563	0.134	0.109	0.165	0.134	0.365	0.258	0.500	0.375	8.50	7.50	
		273.05	141.30	3.40	2.77	4.19	3.40	9.27	6.55	12.70	9.53	215.90	190.50	
10"	6"	10.750	6.625	0.134	0.109	0.165	0.134	0.365	0.280	0.500	0.432	8.50	7.63	
		273.05	168.27	3.40	2.77	4.19	3.40	9.27	7.11	12.70	10.97	215.90	193.80	
10"	8"	10.750	8.625	0.134	0.109	0.165	0.148	0.365	0.322	0.500	0.500	8.50	8.00	
		273.05	219.08	3.40	2.77	4.19	3.76	9.27	8.18	12.70	12.70	215.90	203.20	
12"	6"	12.750	6.625	0.156	0.109	0.180	0.134	0.375	0.280	0.500	0.432	10.00	8.63	
		323.85	168.27	3.96	2.77	4.57	3.40	9.53	7.11	12.70	10.97	254.00	219.20	
12"	8"	12.750	8.625	0.156	0.109	0.180	0.148	0.375	0.322	0.500	0.500	10.00	9.00	
		323.85	219.08	3.96	2.77	4.57	3.76	9.53	8.18	12.70	12.70	254.00	228.60	
12"	10"	12.750	10.750	0.156	0.104	0.180	0.165	0.375	0.365	0.500	0.500	10.00	9.50	
		323.85	273.05	3.96	2.64	4.57	4.19	9.53	9.27	12.70	12.70	254.00	241.30	

Run	Outlet	Nominal Pipe Size	SCH 5S	SCH 10S	SCH 40S	SCH 80S
2-1/2"	2"	0.838	1.210	2.120	2.660	
3"	1-1/2"	1.330	1.600	2.980	3.840	
3"	2"	1.420	1.630	3.010	3.860	
3"	2-1/2"	1.580	1.690	3.150	3.970	
4"	1-1/2"	2.450	2.510	5.040	6.630	
4"	2"	2.470	2.530	5.080	6.700	
4"	2-1/2"	2.520	2.590	5.220	6.790	
4"	3"	2.550	2.610	5.270	6.930	
5"	3"	3.380	4.170	8.130	10.950	
5"	4"	3.430	4.240	8.360	11.180	
6"	2-1/2"	4.620	5.690	11.870	17.050	
6"	3"	4.670	5.750	11.920	17.070	
6"	4"	4.750	5.850	12.100	17.190	
6"	5"	4.800	5.920	12.340	17.470	
8"	4"	7.350	9.800	21.260	30.760	
8"	5"	7.410	9.830	21.350	30.850	
8"	6"	7.440	9.900	21.620	31.250	
10"	5"	13.430	16.470	36.140	47.470	
10"	6"	13.490	16.580	36.270	47.950	
10"	8"	13.540	16.690	36.850	48.390	
12"	6"	22.930	25.100	51.960	67.480	
12"	8"	23.010	25.320	52.380	67.920	
12"	10"	23.130	25.480	53.720	68.810	

SK-I Stainless Steel Series

REDUCING TEES (3/4" x 1/2" - 24" x 22")



DIMENSIONS

(unit : inch / mm)

Nominal Pipe Size	Out - Side Dia. OD1	Out - Side Dia. OD2	Wall Thickness(T1, T2)								Center to End C	Center to End M	
			SCH 10S		SCH 20		Std.		XS				
			T1	T2	T1	T2	T1	T2	T1	T2			
14"	8"	14.000 355.60	8.625 219.08	0.188 4.78	0.148 3.76	0.312 7.92	0.250 6.35	0.375 9.53	0.322 8.18	0.500 12.70	0.500 12.70	11.00 279.40	9.75 247.65
14"	10"	14.000 355.60	10.750 273.05	0.188 4.78	0.165 4.19	0.312 7.92	0.250 6.35	0.375 9.53	0.365 9.27	0.500 12.70	0.500 12.70	11.00 279.40	10.13 257.30
14"	12"	14.000 355.60	12.750 323.85	0.188 4.78	0.180 4.57	0.312 7.92	0.250 6.35	0.375 9.53	0.375 9.53	0.500 12.70	0.500 12.70	11.00 279.40	10.63 270.00
16"	10"	16.000 406.40	10.750 273.05	0.188 4.78	0.165 4.19	0.312 7.92	0.250 6.35	0.375 9.53	0.365 9.27	0.500 12.70	0.500 12.70	12.00 304.80	11.13 282.70
16"	12"	16.000 406.40	12.750 323.85	0.188 4.78	0.180 4.57	0.312 7.92	0.250 6.35	0.375 9.53	0.375 9.53	0.500 12.70	0.500 12.70	12.00 304.80	11.63 295.40
16"	14"	16.000 406.40	14.000 355.60	0.188 4.78	0.188 4.78	0.312 7.92	0.312 7.92	0.375 9.53	0.375 9.53	0.500 12.70	0.500 12.70	12.00 304.80	12.00 304.80
18"	12"	18.000 457.20	12.750 323.85	0.188 4.78	0.180 4.57	0.312 7.92	0.250 6.35	0.375 9.53	0.375 9.53	0.500 12.70	0.500 12.70	13.50 342.90	12.63 320.80
18"	14"	18.000 457.20	14.000 355.60	0.188 4.78	0.188 4.78	0.312 7.92	0.312 7.92	0.375 9.53	0.375 9.53	0.500 12.70	0.500 12.70	13.50 342.90	13.00 330.20
18"	16"	18.000 457.20	16.000 406.40	0.188 4.78	0.188 4.78	0.312 7.92	0.312 7.92	0.375 9.53	0.375 9.53	0.500 12.70	0.500 12.70	13.50 342.90	13.00 330.20
20"	14"	20.000 508.00	14.000 355.60	0.218 5.54	0.188 4.78	0.375 9.53	0.312 7.92	0.375 9.53	0.375 9.53	0.500 12.70	0.500 12.70	15.00 381.00	14.00 355.60
20"	16"	20.000 508.00	16.000 406.40	0.218 5.54	0.188 4.78	0.375 9.53	0.312 7.92	0.375 9.53	0.375 9.53	0.500 12.70	0.500 12.70	15.00 381.00	14.00 355.60
20"	18"	20.000 508.00	18.000 457.20	0.218 5.54	0.188 4.78	0.375 9.53	0.312 7.92	0.375 9.53	0.375 9.53	0.500 12.70	0.500 12.70	15.00 381.00	14.50 368.30
22"	16"	22.000 558.80	16.000 406.40	0.218 5.54	0.188 4.78	0.375 9.53	0.312 7.92	0.375 9.53	0.375 9.53	0.500 12.70	0.500 12.70	16.50 419.10	15.00 381.00
22"	18"	22.000 558.80	18.000 457.20	0.218 5.54	0.188 4.78	0.375 9.53	0.312 7.92	0.375 9.53	0.375 9.53	0.500 12.70	0.500 12.70	16.50 419.10	15.50 393.70
22"	20"	22.000 558.80	20.000 508.00	0.218 5.54	0.218 5.54	0.375 9.53	0.375 9.53	0.375 9.53	0.375 9.53	0.500 12.70	0.500 12.70	16.50 419.10	16.00 406.40
24"	16"	24.000 609.60	16.000 406.40	0.250 6.35	0.188 4.78	0.375 9.53	0.312 7.92	0.375 9.53	0.375 9.53	0.500 12.70	0.500 12.70	17.00 431.80	16.00 406.40
24"	18"	24.000 609.60	18.000 457.20	0.250 6.35	0.188 4.78	0.375 9.53	0.312 7.92	0.375 9.53	0.375 9.53	0.500 12.70	0.500 12.70	17.00 431.80	16.50 419.10
24"	20"	24.000 609.60	20.000 508.00	0.250 6.35	0.218 5.54	0.375 9.53	0.375 9.53	0.375 9.53	0.375 9.53	0.500 12.70	0.500 12.70	17.00 431.80	17.00 431.80
24"	22"	24.000 609.60	22.000 558.80	0.250 6.35	0.218 5.54	0.375 9.53	0.375 9.53	0.375 9.53	0.375 9.53	0.500 12.70	0.500 12.70	17.00 431.80	17.00 431.80

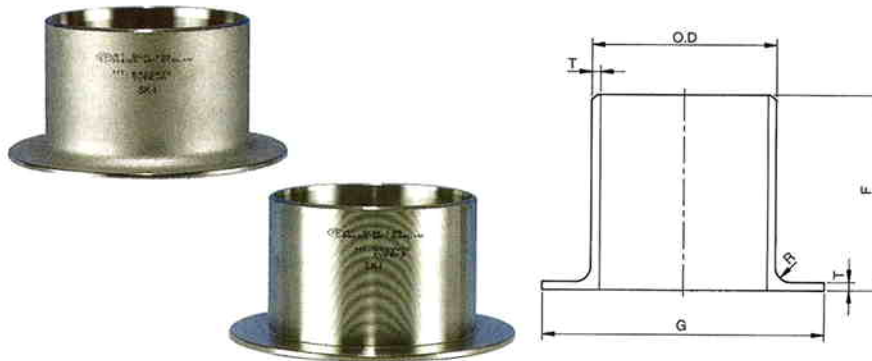
WEIGHTS

(unit : kg)

Nominal Pipe Size	Run	Outlet	SCH 10S	SCH 20S	Std	XS
			10S	20S	Std	XS
14"	8"	8"	28.790	52.000	57.880	75.220
14"	10"	10"	28.960	52.370	58.340	75.890
14"	12"	12"	29.140	52.730	58.810	76.570
16"	10"	10"	34.260	61.890	68.880	89.510
16"	12"	12"	34.470	62.320	69.430	90.320
16"	14"	14"	34.670	62.760	69.980	91.130
18"	12"	12"	43.370	78.330	87.170	113.280
18"	14"	14"	43.620	78.880	87.870	114.300
18"	16"	16"	43.890	79.430	88.570	115.330
20"	14"	14"	64.470	107.630	107.630	139.860
20"	16"	16"	64.850	108.380	108.380	141.120
20"	18"	18"	65.240	109.140	109.140	142.390
22"	16"	16"	78.000	130.230	130.230	169.220
22"	18"	18"	78.470	131.140	131.140	170.740
22"	20"	20"	78.940	132.060	132.060	172.280
24"	16"	16"	96.840	138.240	138.240	179.640
24"	18"	18"	97.690	139.210	139.210	181.250
24"	20"	20"	98.000	140.180	140.180	182.890
24"	22"	22"	98.590	141.160	141.160	184.530

SK-I Stainless Steel Series

STUB ENDS TYPE A, B (1/2" - 24")



DIMENSIONS

(unit : inch / mm)

Nominal Pipe Size	Outside Diameter (O.D.)	Wall Thickness(T)				Dia. of Lap (G)	Length F		Radius R	
		SCH 5S	SCH 10S	SCH 40S	SCH 80S		ANSI	MSS	Type A (Max)	Type B (Max)
1/2"	0.840	0,065	0,083	0,109	0,147	1,375	3,00	2,00	0,13	0,03
	21.34	1,65	2,11	2,77	3,73	34.93	76.20	50.80	3.30	0.76
3/4"	1.050	0,065	0,083	0,113	0,154	1,688	3,00	2,00	0,13	0,03
	26.67	1,65	2,11	2,87	3,91	42.88	76.20	50.80	3.30	0.76
1"	1.315	0,065	0,109	0,133	0,179	2,000	4,00	2,00	0,13	0,03
	33.40	1,65	2,77	3,38	4,55	50.80	101.60	50.80	3.30	0.76
1-1/4"	1.660	0,065	0,109	0,140	0,191	2,500	4,00	2,00	0,19	0,03
	42.16	1,65	2,77	3,56	4,85	63.50	101.60	50.80	4.83	0.76
1-1/2"	1.900	0,065	0,109	0,145	0,200	2,875	4,00	2,00	0,25	0,03
	48.26	1,65	2,77	3,68	5,08	73.02	101.60	50.80	6.35	0.76
2"	2.375	0,065	0,109	0,154	0,218	3,625	6,00	2,50	0,31	0,03
	60.32	1,65	2,77	3,91	5,54	92.07	152.40	63.50	7.87	0.76
2-1/2"	2.875	0,083	0,120	0,203	0,276	4,125	6,00	2,50	0,31	0,03
	73.02	2,11	3,05	5,16	7,01	104.77	152.40	63.50	7.87	0.76
3"	3.500	0,083	0,120	0,216	0,300	5,000	6,00	2,50	0,38	0,03
	88.90	2,11	3,05	5,49	7,62	127.00	152.40	63.50	9.65	0.76
4"	4.500	0,083	0,120	0,237	0,337	6,188	6,00	3,00	0,44	0,03
	114.30	2,11	3,05	6,02	8,56	157.18	152.40	76.20	11.18	0.76
5"	5.563	0,109	0,134	0,258	0,375	7,313	8,00	3,00	0,44	0,06
	141.30	2,77	3,40	6,55	9,53	185.75	203.20	76.20	11.18	1.52
6"	6.625	0,109	0,134	0,280	0,432	8,500	8,00	3,50	0,50	0,06
	168.27	2,77	3,40	7,11	10,97	215.90	203.20	88.90	12.70	1.52
8"	8.625	0,109	0,148	0,322	0,500	10,625	8,00	4,00	0,50	0,06
	219.08	2,77	3,76	8,18	12,70	269.88	203.20	101.60	12.70	1.52
10"	10.750	0,134	0,165	0,365	0,500	12,750	10,00	5,00	0,50	0,06
	273.05	3,40	4,19	9,27	12,70	323.85	254.00	127.00	12.70	1.52
12"	12.750	0,156	0,180	0,375	0,500	15,000	10,00	6,00	0,50	0,06
	323.85	3,96	4,57	9,53	12,70	381.00	254.00	152.40	12.70	1.52
14"	14.000	0,156	0,188	* 0,375	** 0,500	16,250	12,00	6,00	0,50	0,06
	355.60	3,96	4,78	9,53	12,70	412.75	304.80	152.40	12.70	1.52
16"	16.000	0,156	0,188	* 0,375	** 0,500	18,500	12,00	6,00	0,50	0,06
	406.40	3,96	4,78	9,53	12,70	469.90	304.80	152.40	12.70	1.52
18"	18.000	0,165	0,188	* 0,375	** 0,500	21,000	12,00	6,00	0,50	0,06
	457.20	4,19	4,78	9,53	12,70	533.40	304.80	152.40	12.70	1.52
20"	20.000	0,188	0,218	* 0,375	** 0,500	23,000	12,00	6,00	0,50	0,06
	508.00	4,78	5,54	9,53	12,70	584.20	304.80	152.40	12.70	1.52
22"	22.000	0,188	0,218	* 0,375	** 0,500	25,250	12,00	-	0,50	0,06
	558.80	4,78	5,54	9,53	12,70	641.35	304.80	-	12.70	1.52
24"	24.000	0,218	0,250	* 0,375	** 0,500	27,250	12,00	6,00	0,50	0,06
	609.60	5,54	6,35	9,53	12,70	692.15	304.80	152.40	12.70	1.52

WEIGHTS

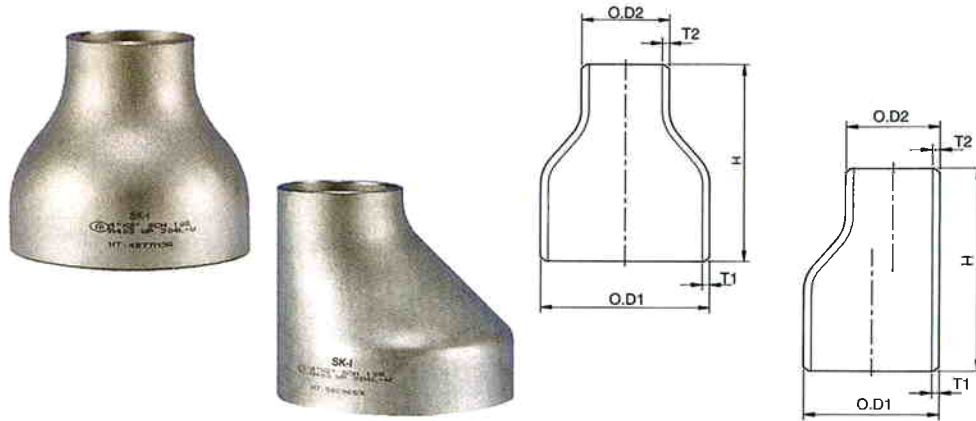
(unit : kg)

Nominal Pipe Size	F	SCH 5S	SCH 10S	SCH 40S	SCH 80S
1/2"	ANSI	0.068	0.091	0.136	0.115
	MSS	0.059	0.077	0.118	0.127
3/4"	ANSI	0.077	0.100	0.181	0.199
	MSS	0.068	0.086	0.154	0.168
1"	ANSI	0.145	0.227	0.299	0.385
	MSS	0.091	0.140	0.186	0.240
1-1/4"	ANSI	0.204	0.326	0.412	0.548
	MSS	0.131	0.208	0.263	0.349
1-1/2"	ANSI	0.231	0.367	0.553	0.675
	MSS	0.159	0.249	0.376	0.458
2"	ANSI	0.449	0.693	0.992	1.364
	MSS	0.245	0.376	0.539	0.743
2-1/2"	ANSI	0.684	0.924	1.563	2.079
	MSS	0.349	0.471	0.797	1.060
3"	ANSI	0.879	1.205	2.134	2.840
	MSS	0.467	0.638	1.133	1.508
4"	ANSI	1.191	1.640	3.035	4.227
	MSS	0.711	0.978	1.812	2.523
5"	ANSI	2.188	2.582	5.300	7.520
	MSS	1.046	1.237	2.537	3.601
6"	ANSI	3.010	3.610	6.890	10.420
	MSS	1.620	1.950	3.720	5.570
8"	ANSI	2.960	3.760	10.420	15.860
	MSS	2.450	3.100	5.890	10.120
10"	ANSI	7.020	8.450	18.120	24.280
	MSS	4.040	4.860	10.420	13.950
12"	ANSI	9.110	10.510	22.200	29.810
	MSS	6.600	7.110	14.950	19.930
14"	ANSI	11.780	14.190	* 28.310	** 37.800
	MSS	6.430	7.750	* 15.460	** 20.620
16"	ANSI	14.380	16.380	* 32.680	** 43.570
	MSS	7.910	9.020	* 17.980	** 23.980
18"	ANSI	16.510	18.810	* 37.530	** 50.030
	MSS	9.240	10.530	* 21.000	** 28.000
20"	ANSI	20.890	24.220	* 41.660	** 55.550
	MSS	11.680	13.540	* 23.300	** 31.070
22"	ANSI	23.200	26.900	* 46.280	** 61.070
	MSS	-	-	*	**
24"	ANSI	29.330	33.630	* 50.450	** 67.270
	MSS	16.520	18.940	* 28.410	** 37.88

* Std ** XS

SK-I Stainless Steel Series

CON., ECC. REDUCERS (3/4" x 1/2" - 48" x 44")



DIMENSIONS

(unit : inch / mm)

Nominal Pipe Size	Out - Side Dia. OD1	Out - Side Dia. OD2	Wall Thickness(T1, T2)								Length H	
			SCH 5S		SCH 10S		SCH 40S		SCH 80S			
			T1	T2	T1	T2	T1	T2	T1	T2		
3/4"	1/2"	1.050	0.840	0.065	0.065	0.083	0.083	0.113	0.109	0.154	0.147	1.50
		26.67	21.34	1.65	1.65	2.11	2.11	2.87	2.77	3.91	3.73	38.10
1"	1/2"	1.315	0.840	0.065	0.065	0.109	0.083	0.133	0.109	0.179	0.147	2.00
		33.40	21.34	1.65	1.65	2.77	2.11	3.38	2.77	4.55	3.73	50.80
1"	3/4"	1.315	1.050	0.065	0.065	0.109	0.083	0.133	0.113	0.179	0.154	2.00
		33.40	26.67	1.65	1.65	2.77	2.11	3.38	2.87	4.55	3.91	50.80
1-1/4"	1"	1.660	1.315	0.065	0.065	0.109	0.109	0.140	0.133	0.191	0.179	2.00
		42.16	33.40	1.65	1.65	2.77	2.77	3.56	3.38	4.85	4.55	50.80
1-1/2"	1/2"	1.900	0.840	0.065	0.065	0.109	0.083	0.145	0.109	0.200	0.147	2.50
		48.26	21.34	1.65	1.65	2.77	2.11	3.68	2.77	5.08	3.73	63.50
1-1/2"	3/4"	1.900	1.050	0.065	0.065	0.109	0.083	0.145	0.113	0.200	0.154	2.50
		48.26	26.67	1.65	1.65	2.77	2.11	3.68	2.87	5.08	3.91	63.50
1-1/2"	1"	1.900	1.315	0.065	0.065	0.109	0.109	0.145	0.133	0.200	0.179	2.50
		48.26	33.40	1.65	1.65	2.77	2.77	3.68	3.38	5.08	4.55	63.50
1-1/2"	1-1/4"	1.900	1.660	0.065	0.065	0.109	0.109	0.145	0.140	0.200	0.191	2.50
		48.26	42.16	1.65	1.65	2.77	2.77	3.68	3.56	5.08	4.85	63.50
2"	3/4"	2.375	1.050	0.065	0.065	0.109	0.083	0.154	0.113	0.218	0.154	3.00
		60.32	26.67	1.65	1.65	2.77	2.11	3.91	2.87	5.54	3.91	76.20
2"	1"	2.375	1.315	0.065	0.065	0.109	0.109	0.154	0.133	0.218	0.179	3.00
		60.32	33.40	1.65	1.65	2.77	2.77	3.91	3.38	5.54	4.55	76.20
2"	1-1/4"	2.375	1.660	0.065	0.065	0.109	0.109	0.154	0.140	0.218	0.191	3.00
		60.32	42.16	1.65	1.65	2.77	2.77	3.91	3.56	5.54	4.85	76.20
2"	1-1/2"	2.375	1.900	0.065	0.065	0.109	0.109	0.154	0.145	0.218	0.200	3.00
		60.32	48.26	1.65	1.65	2.77	2.77	3.91	3.68	5.54	5.08	76.20
2-1/2"	1"	2.875	1.315	0.083	0.065	0.120	0.109	0.203	0.133	0.276	0.179	3.50
		73.02	33.40	2.11	1.65	3.05	2.77	5.16	3.38	7.10	4.55	88.90
2-1/2"	1-1/4"	2.875	1.660	0.083	0.065	0.120	0.109	0.203	0.140	0.276	0.191	3.50
		73.02	42.16	2.11	1.65	3.05	2.77	5.16	3.56	7.01	4.85	88.90
2-1/2"	1-1/2"	2.875	1.900	0.083	0.065	0.120	0.109	0.203	0.145	0.276	0.200	3.50
		73.02	48.26	2.11	1.65	3.05	2.77	5.16	3.68	7.01	5.08	88.90
2-1/2"	2"	2.875	2.375	0.083	0.065	0.120	0.109	0.203	0.154	0.276	0.218	3.50
		73.02	60.32	2.11	1.65	3.05	2.77	5.16	3.91	7.01	5.54	88.90

WEIGHTS

(unit : kg)

Nominal Pipe Size	SCH 5S	SCH 10S	SCH 40S	SCH 80S	
					3/4"
1"	1/2"	0.060	0.089	0.105	0.163
1"	3/4"	0.060	0.098	0.116	0.168
1-1/4"	1"	0.066	0.125	0.157	0.245
1-1/2"	1/2"	0.091	0.154	0.204	0.276
1-1/2"	3/4"	0.095	0.156	0.201	0.294
1-1/2"	1"	0.103	0.170	0.219	0.308
1-1/2"	1-1/4"	0.118	0.195	0.263	0.331
2"	3/4"	0.121	0.214	0.298	0.458
2"	1"	0.143	0.237	0.322	0.458
2"	1-1/4"	0.156	0.258	0.352	0.525
2"	1-1/2"	0.164	0.273	0.372	0.544
2-1/2"	1"	0.256	0.370	0.630	0.739
2-1/2"	1-1/4"	0.276	0.394	0.670	0.825
2-1/2"	1-1/2"	0.281	0.396	0.661	0.856
2-1/2"	2"	0.307	0.432	0.724	0.938

SK-I Stainless Steel Series

CON., ECC. REDUCERS (3/4" x 1/2" - 48" x 44")

DIMENSIONS

(unit : inch / mm)

WEIGHTS

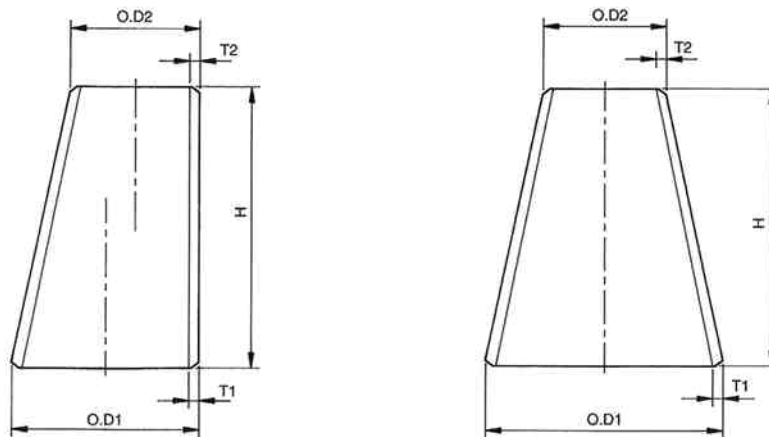
(unit : kg)

Nominal Pipe Size	Out - Side Dia. OD1	Out - Side Dia. OD2	Wall Thickness(T1, T2)								Length H	
			SCH 5S		SCH 10S		SCH 40S		SCH 80S			
			T1	T2	T1	T2	T1	T2	T1	T2		
3"	1"	3.500 88.90	1,315 33.40	0.083 2.11	0.065 1.65	0.120 3.05	0.109 2.77	0.216 5.49	0.133 3.38	0.300 7.62	0.179 4.55	3.50 88.90
3"	1-1/4"	3.500 88.90	1.660 42.16	0.083 2.11	0.065 1.65	0.120 3.05	0.109 2.77	0.216 5.49	0.140 3.56	0.300 7.62	0.191 4.85	3.50 88.90
3"	1-1/2"	3.500 88.90	1.900 48.26	0.083 2.11	0.065 1.65	0.120 3.05	0.109 2.77	0.216 5.49	0.145 3.68	0.300 7.62	0.200 5.08	3.50 88.90
3"	2"	3.500 88.90	2.375 60.32	0.083 2.11	0.065 1.65	0.120 3.05	0.109 2.77	0.216 5.49	0.154 3.91	0.300 7.62	0.218 5.54	3.50 88.90
3"	2-1/2"	3.500 88.90	2.875 73.02	0.083 2.11	0.830 2.11	0.120 3.05	0.120 3.05	0.216 5.49	0.203 5.16	0.300 7.62	0.276 7.01	3.50 88.90
4"	1-1/2"	4.500 114.30	1.900 48.26	0.083 2.11	0.065 1.65	0.120 3.05	0.109 2.77	0.237 6.02	0.145 3.68	0.337 8.56	0.200 5.08	4.00 101.60
4"	2"	4.500 114.30	2.375 60.32	0.083 2.11	0.065 1.65	0.120 3.05	0.109 2.77	0.237 6.02	0.154 3.91	0.337 8.56	0.218 5.54	4.00 101.60
4"	2-1/2"	4.500 114.30	2.875 73.02	0.083 2.11	0.083 2.11	0.120 3.05	0.120 3.05	0.237 6.02	0.203 5.16	0.337 8.56	0.276 7.01	4.00 101.60
4"	3"	4.500 114.30	3.500 88.90	0.083 2.11	0.083 2.11	0.120 3.05	0.120 3.05	0.237 6.02	0.216 5.49	0.337 8.56	0.300 7.62	4.00 101.60
5"	3"	5.563 141.30	3.500 88.90	0.109 2.77	0.083 2.11	0.134 3.40	0.120 3.05	0.258 6.55	0.216 5.49	0.375 9.53	0.300 7.62	5.00 127.00
5"	4"	5.563 141.30	4.500 114.30	0.109 2.77	0.083 2.11	0.134 3.40	0.120 3.05	0.258 6.55	0.237 6.02	0.375 9.53	0.337 8.56	5.00 127.00
6"	2-1/2"	6.625 168.27	2.875 73.02	0.109 2.77	0.083 2.11	0.134 3.40	0.120 3.05	0.280 7.11	0.203 5.16	0.432 10.97	0.276 7.01	5.50 139.70
6"	3"	6.625 168.27	3.500 88.90	0.109 2.77	0.083 2.11	0.134 3.40	0.120 3.05	0.280 7.11	0.216 5.49	0.432 10.97	0.300 7.62	5.50 139.70
6"	4"	6.625 168.27	4.500 114.30	0.109 2.77	0.083 2.11	0.134 3.40	0.120 3.05	0.280 7.11	0.237 6.02	0.432 10.97	0.337 8.56	5.50 139.70
6"	5"	6.625 168.27	5.563 141.30	0.109 2.77	0.109 2.77	0.134 3.40	0.134 3.40	0.280 7.11	0.258 6.55	0.432 10.97	0.375 9.53	5.50 139.70
8"	4"	8.625 219.08	4.500 114.30	0.109 2.77	0.083 2.11	0.148 3.76	0.120 3.05	0.322 8.18	0.237 6.02	0.500 12.70	0.337 8.56	6.00 152.40
8"	5"	8.625 219.08	5.563 141.30	0.109 2.77	0.109 2.77	0.148 3.76	0.134 3.40	0.322 8.18	0.258 6.55	0.500 12.70	0.375 9.53	6.00 152.40
8"	6"	8.625 219.08	6.625 168.27	0.109 2.77	0.109 2.77	0.148 3.76	0.134 3.40	0.322 8.18	0.280 7.11	0.500 12.70	0.432 10.97	6.00 152.40
10"	5"	10.750 273.05	5.563 141.30	0.134 3.40	0.109 2.77	0.165 4.19	0.134 3.40	0.365 9.27	0.258 6.55	0.500 12.70	0.375 9.53	7.00 177.80
10"	6"	10.750 273.05	6.625 168.27	0.134 3.40	0.109 2.77	0.165 4.19	0.134 3.40	0.365 9.27	0.280 7.11	0.500 12.70	0.432 10.97	7.00 177.80
10"	8"	10.750 273.05	8.625 219.08	0.134 3.40	0.109 2.77	0.165 4.19	0.148 3.76	0.365 9.27	0.322 8.18	0.500 12.70	0.500 12.70	7.00 177.80
12"	6"	12.750 323.85	6.625 168.27	0.156 3.96	0.109 2.77	0.180 4.57	0.134 3.40	0.375 9.53	0.280 7.11	0.500 12.70	0.432 10.97	8.00 203.20
12"	8"	12.750 323.85	8.625 219.08	0.156 3.96	0.109 2.77	0.180 4.57	0.148 3.76	0.375 9.53	0.322 8.18	0.500 12.70	0.500 12.70	8.00 203.20
12"	10"	12.750 323.85	10.750 273.05	0.156 3.96	0.134 3.40	0.180 4.57	0.165 4.19	0.375 9.53	0.365 9.27	0.500 12.70	0.500 12.70	8.00 203.20

Nominal Pipe Size	SCH 5S	SCH 10S	SCH 40S	SCH 80S	
					3"
3"	1-1/4"	0.299	0.430	0.775	1.037
3"	1-1/2"	0.315	0.444	0.783	1.105
3"	2"	0.339	0.478	0.846	1.178
3"	2-1/2"	0.376	0.548	0.983	1.291
4"	1-1/2"	0.435	0.630	1.241	1.730
4"	2"	0.464	0.656	1.270	1.780
4"	2-1/2"	0.499	0.706	1.370	2.007
4"	3"	0.528	0.748	1.450	2.129
5"	3"	0.991	1.200	2.270	3.547
5"	4"	1.107	1.320	2.500	3.769
6"	2-1/2"	1.120	1.350	2.740	4.510
6"	3"	1.240	1.500	3.040	5.030
6"	4"	1.340	1.620	3.300	5.440
6"	5"	1.450	1.750	3.570	5.710
8"	4"	1.800	2.560	5.100	8.430
8"	5"	1.900	2.700	5.400	8.830
8"	6"	2.010	2.850	5.710	9.240
10"	5"	2.820	3.300	8.210	13.000
10"	6"	3.300	3.870	8.780	13.500
10"	8"	3.590	4.210	9.580	14.220
12"	6"	4.970	5.730	12.400	18.390
12"	8"	5.450	6.110	13.700	19.070
12"	10"	5.830	6.550	14.700	19.480

SK-I Stainless Steel Series

CON., ECC. REDUCERS (3/4" x 1/2" - 48" x 44")



DIMENSIONS

(unit : inch / mm)

Nominal Pipe Size	Out - Side Dia. OD1	Out - Side Dia. OD2	Wall Thickness(T1, T2)								Length H
			SCH 10S		SCH 20		Std		XS		
			T1	T2	T1	T2	T1	T2	T1	T2	
14" 6"	14.000	6.625	0.188	0.134	0.312	-	0.375	0.280	0.500	0.432	13.00
	355.60	168.27	4.78	3.40	7.92	-	9.53	7.11	12.70	10.97	330.20
14" 8"	14.000	8.625	0.188	0.148	0.312	0.250	0.375	0.322	0.500	0.500	13.00
	355.60	219.08	4.78	3.76	7.92	6.35	9.53	8.18	12.70	12.70	330.20
14" 10"	14.000	10.750	0.188	0.165	0.312	0.250	0.375	0.365	0.500	0.500	13.00
	355.60	273.05	4.78	4.19	7.92	6.35	9.53	9.27	12.70	12.70	330.20
14" 12"	14.000	12.750	0.188	0.180	0.312	0.250	0.375	0.375	0.500	0.500	13.00
	355.60	323.85	4.78	4.57	7.92	6.35	9.53	9.53	12.70	12.70	330.20
16" 8"	16.000	8.625	0.188	0.148	0.312	0.250	0.375	0.322	0.500	0.500	14.00
	406.40	219.08	4.78	3.76	7.92	6.35	9.53	8.18	12.70	12.70	355.60
16" 10"	16.000	10.750	0.188	0.165	0.312	0.250	0.375	0.365	0.500	0.500	14.00
	406.40	273.05	4.78	4.19	7.92	6.35	9.53	9.27	12.70	12.70	355.60
16" 12"	16.000	12.750	0.188	0.180	0.312	0.250	0.375	0.375	0.500	0.500	14.00
	406.40	323.85	4.78	4.57	7.92	6.35	9.53	9.53	12.70	12.70	355.60
16" 14"	16.000	14.000	0.188	0.188	0.312	0.312	0.375	0.375	0.500	0.500	14.00
	406.40	355.60	4.78	4.78	7.92	7.92	9.53	9.53	12.70	12.70	355.60
18" 10"	18.000	10.750	0.188	0.165	0.312	0.250	0.375	0.365	0.500	0.500	15.00
	457.20	273.05	4.78	4.19	7.92	6.35	9.53	9.27	12.70	12.70	381.00
18" 12"	18.000	12.750	0.188	0.180	0.312	0.250	0.375	0.375	0.500	0.500	15.00
	457.20	323.85	4.78	4.57	7.92	6.35	9.53	9.53	12.70	12.70	381.00
18" 14"	18.000	14.000	0.188	0.188	0.312	0.312	0.375	0.375	0.500	0.500	15.00
	457.20	355.60	4.78	4.78	7.92	7.92	9.53	9.53	12.70	12.70	381.00
18" 16"	18.000	16.000	0.188	0.188	0.312	0.312	0.375	0.375	0.500	0.500	15.00
	457.20	406.40	4.78	4.78	7.92	7.92	9.53	9.53	12.70	12.70	381.00
20" 12"	20.000	12.750	0.218	0.180	0.375	0.250	0.375	0.375	0.500	0.500	20.00
	508.00	323.85	5.54	4.57	9.53	6.35	9.53	9.53	12.70	12.70	508.00
20" 14"	20.000	14.000	0.218	0.188	0.375	0.312	0.375	0.375	0.500	0.500	20.00
	508.00	355.60	5.54	4.78	9.53	7.92	9.53	9.53	12.70	12.70	508.00
20" 16"	20.000	16.000	0.218	0.188	0.375	0.312	0.375	0.375	0.500	0.500	20.00
	508.00	406.40	5.54	4.78	9.53	7.92	9.53	9.53	12.70	12.70	508.00
20" 18"	20.000	18.000	0.218	0.188	0.375	0.312	0.375	0.375	0.500	0.500	20.00
	508.00	457.20	5.54	4.78	9.53	7.92	9.53	9.53	12.70	12.70	508.00

WEIGHTS

(unit : kg)

Nominal Pipe Size	SCH 10S	SCH 20S	Std	XS
14" 8"	12.070	21.700	24.150	31.440
14" 10"	13.210	23.730	26.410	34.400
14" 12"	14.270	25.650	28.550	37.180
16" 8"	14.150	25.430	28.300	36.860
16" 10"	15.370	27.620	30.750	40.040
16" 12"	16.520	29.690	33.050	43.030
16" 14"	17.240	30.980	34.480	44.900
18" 10"	17.700	31.810	35.410	46.110
18" 12"	18.940	34.020	37.870	49.320
18" 14"	19.710	35.410	39.410	51.320
18" 16"	20.940	37.620	41.870	54.520
20" 12"	32.760	53.780	53.780	70.020
20" 14"	33.980	55.830	55.830	72.700
20" 16"	36.010	59.110	59.110	76.970
20" 18"	38.010	62.400	62.400	81.250

SK-I Stainless Steel Series

CON., ECC. REDUCERS (3/4" x 1/2" - 48" x 44")

DIMENSIONS

(unit : inch / mm)

WEIGHTS

(unit : kg)

Nominal Pipe Size		Out - Side Dia. OD1	Out - Side Dia. OD2	Wall Thickness(T1, T2)								Length H
				SCH 10S		SCH 20		Std		XS		
				T1	T2	T1	T2	T1	T2	T1	T2	
22"	14"	22.000	14.000	0.218	0.188	0.375	0.312	0.375	0.375	0.500	0.500	20.00
		558.80	355.60	5.54	4.78	9.53	7.92	9.53	9.53	12.70	12.70	508.00
22"	16"	22.000	16.000	0.218	0.188	0.375	0.312	0.375	0.375	0.500	0.500	20.00
		558.80	406.40	5.54	4.78	9.53	7.92	9.53	9.53	12.70	12.70	508.00
22"	18"	22.000	18.000	0.218	0.188	0.375	0.312	0.375	0.375	0.500	0.500	20.00
		558.80	457.20	5.54	4.78	9.53	7.92	9.53	9.53	12.70	12.70	508.00
22"	20"	22.000	20.000	0.218	0.218	0.375	0.375	0.375	0.375	0.500	0.500	20.00
		558.80	508.00	5.54	5.54	9.53	9.53	9.53	9.53	12.70	12.70	508.00
24"	14"	24.000	14.000	0.250	0.188	0.375	0.312	0.375	0.375	0.500	0.500	20.00
		609.60	355.60	6.35	4.78	9.53	7.92	9.53	9.53	12.70	12.70	508.00
24"	16"	24.000	16.000	0.250	0.188	0.375	0.312	0.375	0.375	0.500	0.500	20.00
		609.60	406.40	6.35	4.78	9.53	7.92	9.53	9.53	12.70	12.70	508.00
24"	18"	24.000	18.000	0.250	0.188	0.375	0.312	0.375	0.375	0.500	0.500	20.00
		609.60	457.20	6.35	4.78	9.53	7.92	9.53	9.53	12.70	12.70	508.00
24"	20"	24.000	20.000	0.250	0.218	0.375	0.375	0.375	0.375	0.500	0.500	20.00
		609.60	508.00	6.35	5.54	9.53	9.53	9.53	9.53	12.70	12.70	508.00
24"	22"	24.000	22.000	0.250	0.218	0.375	0.375	0.375	0.375	0.500	0.500	20.00
		609.60	558.80	6.35	5.54	9.53	9.53	9.53	9.53	12.70	12.70	508.00
26"	16"	26.000	16.000			0.500	0.312	0.375	0.375	0.500	0.500	24.00
		660.40	406.40			12.70	7.92	9.53	9.53	12.70	12.70	609.60
26"	18"	26.000	18.000			0.500	0.312	0.375	0.375	0.500	0.500	24.00
		660.40	457.20			12.70	7.92	9.53	9.53	12.70	12.70	609.60
26"	20"	26.000	20.000			0.500	0.375	0.375	0.375	0.500	0.500	24.00
		660.40	508.00			12.70	9.53	9.53	9.53	12.70	12.70	609.60
26"	24"	26.000	24.000			0.500	0.375	0.375	0.375	0.500	0.500	24.00
		660.40	609.60			12.70	9.53	9.53	9.53	12.70	12.70	609.60
28"	18"	28.000	18.000			0.500	0.312	0.375	0.375	0.500	0.500	24.00
		711.20	457.20			12.70	7.92	9.53	9.53	12.70	12.70	609.60
28"	20"	28.000	20.000			0.500	0.375	0.375	0.375	0.500	0.500	24.00
		711.20	508.00			12.70	9.53	9.53	9.53	12.70	12.70	609.60
28"	24"	28.000	24.000			0.500	0.375	0.375	0.375	0.500	0.500	24.00
		711.20	609.60			12.70	9.53	9.53	9.53	12.70	12.70	609.60
28"	26"	28.000	26.000			0.500	0.500	0.375	0.375	0.500	0.500	24.00
		711.20	660.40			12.70	12.70	9.53	9.53	12.70	12.70	609.60
30"	20"	30.000	20.000			0.500	0.375	0.375	0.375	0.500	0.500	24.00
		762.00	508.00			12.70	9.53	9.53	9.53	12.70	12.70	609.60
30"	24"	30.000	24.000			0.500	0.375	0.375	0.375	0.500	0.500	24.00
		762.00	609.60			12.70	9.53	9.53	9.53	12.70	12.70	609.60
30"	26"	30.000	26.000			0.500	0.500	0.375	0.375	0.500	0.500	24.00
		762.00	660.40			12.70	12.70	9.53	9.53	12.70	12.70	609.60
30"	28"	30.000	28.000			0.500	0.500	0.375	0.375	0.500	0.500	24.00
		762.00	711.20			12.70	12.70	9.53	9.53	12.70	12.70	609.60

Nominal Pipe Size		SCH 10S	SCH 20S	Std	XS
22"	14"	36.010	59.080	59.080	76.970
22"	16"	38.010	62.400	62.400	81.250
22"	18"	40.010	65.680	65.680	85.530
22"	20"	42.010	68.960	68.960	89.800
24"	14"	43.710	62.400	62.400	81.250
24"	16"	46.010	65.680	65.680	85.530
24"	18"	48.310	68.960	68.960	89.800
24"	20"	50.610	72.250	72.250	94.080
24"	22"	52.910	75.530	75.530	98.360
26"	16"		107.760	82.760	107.540
26"	18"		112.880	86.700	112.660
26"	20"		118.020	90.650	117.790
26"	24"		128.280	98.530	128.030
28"	18"		118.020	90.650	117.780
28"	20"		123.150	94.590	122.910
28"	24"		133.410	102.470	133.150
28"	26"		138.540	106.410	138.270
30"	20"		128.280	98.530	128.030
30"	24"		138.540	106.410	138.270
30"	26"		143.670	110.350	143.390
30"	28"		148.800	114.290	148.510

SK-I Stainless Steel Series

CON., ECC. REDUCERS (3/4" x 1/2" - 48" x 44")

DIMENSIONS

(unit : inch / mm)

WEIGHTS

(unit : kg)

Nominal Pipe Size		Out - Side Dia. OD1	Out - Side Dia. OD2	Wall Thickness(T1, T2)								Length H
				SCH 10S		SCH 20		Std		XS		
				T1	T2	T1	T2	T1	T2	T1	T2	
32"	24"	32.000	24.000			0.500	0.375	0.375	0.375	0.500	0.500	24.00
		812.80	609.60			12.70	9.53	9.53	9.53	12.70	12.70	609.60
32"	26"	32.000	26.000			0.500	0.500	0.375	0.375	0.500	0.500	24.00
		812.80	660.40			12.70	12.70	9.53	9.53	12.70	12.70	609.60
32"	28"	32.000	28.000			0.500	0.500	0.375	0.375	0.500	0.500	24.00
		812.80	711.20			12.70	12.70	9.53	9.53	12.70	12.70	609.60
32"	30"	32.000	30.000			0.500	0.500	0.375	0.375	0.500	0.500	24.00
		812.80	762.00			12.70	12.70	9.53	9.53	12.70	12.70	609.60
34"	26"	34.000	26.000			0.500	0.500	0.375	0.375	0.500	0.500	24.00
		863.60	660.40			12.70	12.70	9.53	9.53	12.70	12.70	609.60
34"	28"	34.000	28.000			0.500	0.500	0.375	0.375	0.500	0.500	24.00
		863.60	711.20			12.70	12.70	9.53	9.53	12.70	12.70	609.60
34"	30"	34.000	30.000			0.500	0.500	0.375	0.375	0.500	0.500	24.00
		863.60	762.00			12.70	12.70	9.53	9.53	12.70	12.70	609.60
34"	32"	34.000	32.000			0.500	0.500	0.375	0.375	0.500	0.500	24.00
		863.60	812.80			12.70	12.70	9.53	9.53	12.70	12.70	609.60
36"	28"	36.000	28.000			0.500	0.500	0.375	0.375	0.500	0.500	24.00
		914.40	711.20			12.70	12.70	9.53	9.53	12.70	12.70	609.60
36"	30"	36.000	30.000			0.500	0.500	0.375	0.375	0.500	0.500	24.00
		914.40	762.00			12.70	12.70	9.53	9.53	12.70	12.70	609.60
36"	32"	36.000	32.000			0.500	0.500	0.375	0.375	0.500	0.500	24.00
		914.40	812.80			12.70	12.70	9.53	9.53	12.70	12.70	609.60
36"	34"	36.000	34.000			0.500	0.500	0.375	0.375	0.500	0.500	24.00
		914.40	863.60			12.70	12.70	9.53	9.53	12.70	12.70	609.60
38"	26"	38.000	26.000					0.375	0.375	0.500	0.500	24.00
		965.20	660.40					9.53	9.53	12.70	12.70	609.60
38"	28"	38.000	28.000					0.375	0.375	0.500	0.500	24.00
		965.20	711.20					9.53	9.53	12.70	12.70	609.60
38"	30"	38.000	30.000					0.375	0.375	0.500	0.500	24.00
		965.20	762.00					9.53	9.53	12.70	12.70	609.60
38"	32"	38.000	32.000					0.375	0.375	0.500	0.500	24.00
		965.20	812.80					9.53	9.53	12.70	12.70	609.60
38"	34"	38.000	34.000					0.375	0.375	0.500	0.500	24.00
		965.20	863.60					9.53	9.53	12.70	12.70	609.60
38"	36"	38.000	36.000					0.375	0.375	0.500	0.500	24.00
		965.20	914.40					9.53	9.53	12.70	12.70	609.60

Nominal Pipe Size		SCH 10S	SCH 20S	Std	XS
32"	24"		143.670	110.400	143.390
32"	26"		148.800	114.290	148.510
32"	28"		153.930	118.230	153.630
32"	30"		159.070	122.170	158.750
34"	26"		153.930	118.510	153.630
34"	28"		159.070	122.170	158.750
34"	30"		164.200	126.120	163.880
34"	32"		169.330	130.060	168.990
36"	28"		164.200	126.120	163.880
36"	30"		169.330	130.060	168.990
36"	32"		174.460	133.990	174.120
36"	34"		179.590	137.940	179.240
38"	26"			126.120	163.880
38"	28"			130.060	168.990
38"	30"			133.990	174.120
38"	32"			137.940	179.240
38"	34"			141.880	184.360
38"	36"			145.820	189.480

SK-I Stainless Steel Series

CON., ECC. REDUCERS (3/4" x 1/2" - 48" x 44")

DIMENSIONS

(unit : inch / mm)

WEIGHTS

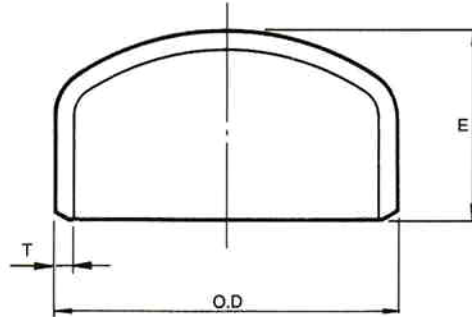
(unit : kg)

Nominal Pipe Size	Out - Side Dia. OD1	Out - Side Dia. OD2	Wall Thickness(T1, T2)								Length H	
			SCH 10S		SCH 20		Std		XS			
			T1	T2	T1	T2	T1	T2	T1	T2		
40"	30"	40.000 1016.00	30.000 762.00					0.375 9.53	0.375 9.53	0.500 12.70	0.500 12.70	24.00 609.60
40"	32"	40.000 1016.00	32.000 812.80					0.375 9.53	0.375 9.53	0.500 12.70	0.500 12.70	24.00 609.60
40"	34"	40.000 1016.00	34.000 863.60					0.375 9.53	0.375 9.53	0.500 12.70	0.500 12.70	24.00 609.60
40"	36"	40.000 1016.00	36.000 914.40					0.375 9.53	0.375 9.53	0.500 12.70	0.500 12.70	24.00 609.60
40"	38"	40.000 1016.00	38.000 965.20					0.375 9.53	0.375 9.53	0.500 12.70	0.500 12.70	24.00 609.60
42"	30"	42.000 1066.80	30.000 762.00					0.375 9.53	0.375 9.53	0.500 12.70	0.500 12.70	24.00 609.60
42"	32"	42.000 1066.80	32.000 812.80					0.375 9.53	0.375 9.53	0.500 12.70	0.500 12.70	24.00 609.60
42"	34"	42.000 1066.80	34.000 863.60					0.375 9.53	0.375 9.53	0.500 12.70	0.500 12.70	24.00 609.60
42"	36"	42.000 1066.80	36.000 914.40					0.375 9.53	0.375 9.53	0.500 12.70	0.500 12.70	24.00 609.60
42"	38"	42.000 1066.80	38.000 965.20					0.375 9.53	0.375 9.53	0.500 12.70	0.500 12.70	24.00 609.60
42"	40"	42.000 1066.80	40.000 1016.00					0.375 9.53	0.375 9.53	0.500 12.70	0.500 12.70	24.00 609.60
44"	36"	44.000 1117.60	36.000 914.40					0.375 9.53	0.375 9.53	0.500 12.70	0.500 12.70	24.00 609.60
44"	38"	44.000 1117.60	38.000 965.20					0.375 9.53	0.375 9.53	0.500 12.70	0.500 12.70	24.00 609.60
44"	40"	44.000 1117.60	40.000 1016.00					0.375 9.53	0.375 9.53	0.500 12.70	0.500 12.70	24.00 609.60
44"	42"	44.000 1117.60	42.000 1066.80					0.375 9.53	0.375 9.53	0.500 12.70	0.500 12.70	24.00 609.60
46"	36"	46.000 1168.40	36.000 914.40					0.375 9.53	0.375 9.53	0.500 12.70	0.500 12.70	28.00 711.20
46"	38"	46.000 1168.40	38.000 965.20					0.375 9.53	0.375 9.53	0.500 12.70	0.500 12.70	28.00 711.20
46"	40"	46.000 1168.40	40.000 1016.00					0.375 9.53	0.375 9.53	0.500 12.70	0.500 12.70	28.00 711.20
46"	42"	46.000 1168.40	42.000 1066.80					0.375 9.53	0.375 9.53	0.500 12.70	0.500 12.70	28.00 711.20
46"	44"	46.000 1168.40	44.000 1117.60					0.375 9.53	0.375 9.53	0.500 12.70	0.500 12.70	28.00 711.20
48"	40"	48.000 1219.20	40.000 1016.00					0.375 9.53	0.375 9.53	0.500 12.70	0.500 12.70	28.00 711.20
48"	42"	48.000 1219.20	42.000 1066.80					0.375 9.53	0.375 9.53	0.500 12.70	0.500 12.70	28.00 711.20
48"	44"	48.000 1219.20	44.000 1117.60					0.375 9.53	0.375 9.53	0.500 12.70	0.500 12.70	28.00 711.20

Nominal Pipe Size	SCH 10S	SCH 20S	Std	XS	
					40"
40"	32"			141.880	184.360
40"	34"			145.820	189.460
40"	36"			149.760	194.600
40"	38"			153.700	199.720
42"	30"			141.880	184.360
42"	32"			145.820	189.480
42"	34"			149.760	194.600
42"	36"			153.700	199.720
42"	38"			157.640	204.850
42"	40"			161.590	209.970
44"	36"			157.640	204.850
44"	38"			161.590	209.970
44"	40"			165.530	215.090
44"	42"			169.470	220.210
46"	36"			165.530	215.090
46"	38"			165.530	215.090
46"	40"			169.470	220.210
46"	42"			173.410	225.330
46"	44"			177.350	230.450
48"	40"			173.410	225.330
48"	42"			177.350	230.450
48"	44"			181.290	235.570

SK-I Stainless Steel Series

CAPS (1/2" - 24")



DIMENSIONS

(unit : inch / mm)

Nominal Pipe Size	Outside Diameter (O.D.)	Wall Thickness (T)				Center to End E
		SCH 5S	SCH 10S	SCH 40S	SCH 80S	
1/2"	0.840	0.065	0.083	0.109	0.147	1.000
	21.34	1.65	2.11	2.77	3.73	25.40
3/4"	1.050	0.065	0.083	0.113	0.154	1.000
	26.67	1.65	2.11	2.87	3.91	25.40
1"	1.315	0.065	0.109	0.133	0.179	1.500
	33.40	1.65	2.77	3.38	4.55	38.10
1-1/4"	1.660	0.065	0.109	0.140	0.191	1.500
	42.16	1.65	2.77	3.56	4.85	38.10
1-1/2"	1.900	0.065	0.109	0.145	0.200	1.500
	48.26	1.65	2.77	3.68	5.08	38.10
2"	2.375	0.065	0.109	0.154	0.218	1.500
	60.32	1.65	2.77	3.91	5.54	38.10
2-1/2"	2.875	0.083	0.120	0.203	0.276	1.500
	73.02	2.11	3.05	5.16	7.01	38.10
3"	3.500	0.083	0.120	0.216	0.300	2.000
	88.90	2.11	3.05	5.49	7.62	50.80
4"	4.500	0.083	0.120	0.237	0.337	2.500
	114.30	2.11	3.05	6.02	8.56	63.50
5"	5.563	0.109	0.134	0.258	0.375	3.000
	141.30	2.77	3.40	6.55	9.53	76.20
6"	6.625	0.109	0.134	0.280	0.432	3.500
	168.27	2.77	3.40	7.11	10.97	88.90
8"	8.625	0.109	0.148	0.322	0.500	4.000
	219.08	2.77	3.76	8.18	12.70	101.60
10"	10.750	0.134	0.165	0.375	0.500	5.000
	273.05	3.40	4.19	9.53	12.70	127.00
12"	12.750	0.156	0.180	0.375	0.500	6.000
	323.85	3.96	4.57	9.53	12.70	152.40
14"	14.000		0.188	* 0.375	** 0.500	6.500
	355.60		4.78	9.53	12.70	165.10
16"	16.000		0.188	* 0.375	** 0.500	7.000
	406.40		4.78	9.53	12.70	177.80
18"	18.000		0.188	* 0.375	** 0.500	8.000
	457.20		4.78	9.53	12.70	203.20
20"	20.000		0.218	* 0.375	** 0.500	9.000
	508.00		5.54	9.53	12.70	228.60
24"	24.000		0.250	* 0.375	** 0.500	10.500
	609.60		6.35	9.53	12.70	266.70

WEIGHTS

(unit : kg)

Nominal Pipe Size	SCH 5S	SCH 10S	SCH 40S	SCH 80S
1/2"	0.036	0.040	0.046	0.045
3/4"	0.049	0.052	0.059	0.086
1"	0.053	0.090	0.109	0.109
1-1/4"	0.066	0.113	0.145	0.159
1-1/2"	0.076	0.130	0.171	0.222
2"	0.099	0.168	0.234	0.344
2-1/2"	0.169	0.242	0.420	0.512
3"	0.253	0.362	0.664	0.888
4"	0.409	0.585	1.170	1.510
5"	0.805	0.978	1.900	2.890
6"	1.110	1.350	2.830	4.240
8"	1.740	2.490	5.110	7.760
10"	3.260	3.840	8.920	13.110
12"	5.470	6.150	14.100	17.940
14"	7.190	7.850	* 16.350	** 21.110
16"	10.990	9.560	* 18.600	** 25.730
18"	13.920	12.100	* 23.540	** 32.570
20"	17.190	17.900	* 29.060	** 40.210
24"	27.430	30.150	* 41.850	** 57.860

* Std ** XS

SK-I Stainless Steel Series

DIMENSIONAL TOLERANCES AND WELDING ENDS

(MSS SP-43)

Dimensions in inches

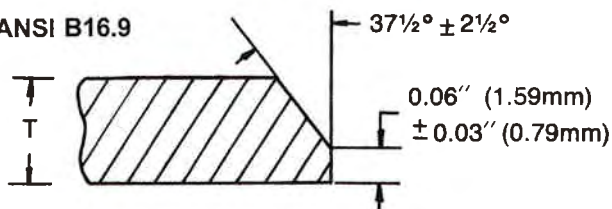
Nominal Pipe Size	All Fittings		90 Elbows 45 Elbows Tees	Reducers Lap-Joint Stub Ends	180° Returns			Caps	Lap-Joint Stub Ends	
	Outside Diameter at Welding End	Wall Thickness	Center-to-End Dimension A B C M	Overall Length FH	Center-to-Center Dimension P	Back-to-Face Dimension K	Alignment of End U	Caps Over Length E	Fillet Radius of Lap A	Outside Diameter of Lap G
1/2" to 1-1/2"	± 0.03	Not less than 87.5% of nominal thickness	± 0.06	± 0.06	± 0.25	± 0.25	± 0.03	± 0.12	+ 0 - 0.03	+ 0 - 0.03
2" to 3-1/2"	± 0.03		± 0.06	± 0.06	± 0.25	± 0.25	± 0.03	± 0.12	+ 0 - 0.03	+ 0 - 0.03
4"	± 0.03		± 0.06	± 0.06	± 0.25	± 0.25	± 0.03	± 0.12	+ 0 - 0.06	+ 0 - 0.03
5" to 8"	+ 0.06 - 0.03		± 0.06	± 0.06	± 0.25	± 0.25	± 0.03	± 0.25	+ 0 - 0.06	+ 0 - 0.03
10" to 18"	+ 0.09 - 0.03		± 0.09	± 0.09	± 0.38	± 0.25	± 0.06	± 0.25	+ 0 - 0.06	+ 0 - 0.06
20" to 24"	+ 0.12 - 0.03		± 0.09	± 0.09	± 0.38	± 0.25	± 0.06	± 0.25	+ 0 - 0.06	+ 0 - 0.06

(ANSI B16.9)

Dimensions in inches

All Fittings				90° Elbows 45° Elbows Tees	Reducers Lap-Joint Stub End	Caps	180° Returns			Lap-Joint Stub Ends		
Nominal Pipe Size	Outside Diameter at Bevel	Inside Diameter at End	Wall Thickness	Center-to-End Dimension A B C M	Overall Length FH	Overall Length E	Center-to-Center Dimension P	Back-to-Face Dimension K	Alignment of End U	Outside Diameter of Lap G	Thickness of Lap T	Fillet Radius of Lap R
1/2" to 21/2"	+ 0.06 - 0.03	± 0.03	Not less than 87.5% of nominal thickness	± 0.06	± 0.06	± 0.12	± 0.25	± 0.25	± 0.03	+ 0 - 0.03	+ 0.06 - 0	+ 0 - 0.03
3" to 3-1/2"	± 0.06	± 0.06		± 0.06	± 0.06	± 0.12	± 0.25	± 0.25	± 0.03	+ 0 - 0.03	+ 0.06 - 0	+ 0 - 0.03
4"	± 0.06	± 0.06		± 0.06	± 0.06	± 0.12	± 0.25	± 0.25	± 0.03	+ 0 - 0.03	+ 0.06 - 0	+ 0 - 0.06
5" to 8"	+ 0.09 - 0.06	± 0.06		± 0.06	± 0.06	± 0.25	± 0.25	± 0.25	± 0.03	+ 0 - 0.03	+ 0.06 - 0	+ 0 - 0.06
10" to 18"	+ 0.16 - 0.12	± 0.12		± 0.09	± 0.09	± 0.25	± 0.38	± 0.25	± 0.06	+ 0 - 0.06	+ 0.06 - 0	+ 0 - 0.06
20" to 24"	+ 0.25 - 0.19	± 0.19		± 0.09	± 0.09	± 0.25	± 0.38	± 0.25	± 0.06	+ 0 - 0.06	+ 0.06 - 0	+ 0 - 0.06
26" to 30"	+ 0.25 - 0.19	± 0.19		± 0.12	± 0.19	± 0.38						
32" to 48"	+ 0.25 - 0.19	± 0.19		± 0.19	± 0.19	± 0.38						

ANSI B16.9



$$0.12'' (3\text{mm}) \leq T \leq 0.88'' (22\text{mm})$$

BEVEL



$$T < 0.12'' (3\text{mm})$$

SK-I Stainless Steel Series

JIS-ASTM CONTRAST LIST OF RELATIVE MATERIALS

Steel Items		JIS Specification		ASTM Specification			BS Specification	DIN Specification	
		Steel Tube	Steel Plate	Steel Tube	Steel Plate	Steel Materials			Marks of Tube Jointing Materials
Carbon Steel		SGP	SS41	A53 - Type F	A283 - A	A283 - A		3601 - 320	1626-st33
		STPG38	SM41B	A53 - A	A242	A105		3601 - 360	1626-st37
		STPG42	SM41B	A53 - B	A242	A105		3601 - 410	1626-st42
		STS35	SB35						
		STS38	SB42						
		STS42	SB42						
		STS49	SB49						
		STPT38	SB42	A106-A	285 - B	A105		3602 - 360	17175-st35.8
		STPT42	SB42	A106-B	A515 - 65 70	A105	WPB	3602 - 410	17175-st45.8
	STPT49	SB49	A106-C			WPC	3602 - 460		
Alloy Steel	1/2 Mo Steel	STPA12	SB46M	A335-P1	A204 - B	A182 - F1	WP1		17175 -15Mo3
	1 Cr - 1/2 Mo Steel	STPA22	SCMV2	A335-P12	A387 - 12	A182 - F12	WP12	3604 -620-440	17175 -13CrMo44
	1-1/4 Cr - 1/2 Mo Steel	STPA23	SCMV3	A335-P11	A387 - 11	A182 - F11	WP11	3604 - 621	
	2-1/4 Cr - 1 Mo Steel	STPA24	SCMV4	A335-P22	A387 - 22	A182 - F22	WP22	3604 - 622	17175 - 10CrMo910
	5 Cr - 1/2 Mo Steel	STPA25	SCMV6	A335-P5	A387 - 5	A182 - 5	WP5	3604 - 625	
	9 Cr - 1 Mo Steel	STPA26		A335-P9	A387 - 9	A182 - 9	WP9		
Low Temperature Steel	A z gilt Steel	STPL39	SLA33A	A333 - 6	A516 - 60, 65, 70	A350 - LF2	WPL6	3603 - 410LT50	
	3-1/2 Ni Steel	STPL46		A333 - 3	A203 - D	A350 - LF3	WPL3	3603 - 503LT100	
	9 Ni Steel	STPL70		A333 - 8	A353	A522	WPL8	3603 - 503LT196	
Stainless Steel	18 - 8 Stainless Steel	SUS304TP	SUS304	A312 - TP304	A240 - Type 304	A182-F304	WP304	3605 -304S18, S25	17440 - X5CrNi189
	High Temperature 18 - 8 Stainless Steel	SUS304HTP		A312 - TP304H	A240 - Type 304H	A182-F304H	WP304H	3605 - 304S59	
	Low Carbon 18 - 8 Stainless Steel	SUS304LTP	SUS304L	A312 - TP304L	A240 - Type 304L	A182-F304L	WP304L	3605 -304S14, S22	17440 - X2CrNi189
	22 - 12 Stainless Steel	SUS304LTP	SUS309S	A312 - TP309	A240 - Type 309S		WP309		
	25 - 20 Stainless Steel	SUS309STP	SUS310S	A312 - TP310	A240 - Type 310S	A182-F310	WP310		
	18 - 8 - (Nb + Ta) Stainless Steel	SUS310STP	SUS347	A312 - TP347	A240 - Type 347	A182-F347	WP347	3605 -347S18, S17	17440 - X10CrNiNb189
	18 - 8 - Mo Stainless Steel	SUS347TP	SUS316	A312 - TP316	A240 - Type 316	A182-F316	WP316	3605 -316S18, S26	17440 - X5CrNiMo1810
	High Temperature 18 - 8 Mo Stainless Steel	SUS316HTP		A312 - TP316H	A240 - Type 316H	A182-F316H	WP316H	3605 -316S59	
	Low Carbon 18 - 8 - Mo Stainless Steel	SUS316LTP	SUS316L	A312 - TP316L	A240 - Type 316L	A182-F316L	WP316L	3605 -316S14, S22	17440 - X2CrNiMo1810
	18 - 8 - Ti Stainless Steel	SUS321TP	SUS321	A312 - TP321	A240 - Type 321	A182-F321	WP321	3605 -321S18, S22	17440 - X10CrNiTi189
	High Temperature 18 - 8 Ti Stainless Steel	SUS321HTP		A312 - TP321H	A240 - Type 321H	A182-F321H	WP321H	3605-321S59	
	High Temperature 18 - 8 (Nb + Ta) Stainless Steel	SUS347HTP		A312 - TP347H	A240 - Type 347H	A182-F347H	WP347H	3605-347S59	
	25 - 5 - Mo Stainless Steel	SUS329JITP	SUS329JI	A268 - TP329					

SK-I Stainless Steel Series

MATERIAL SPECIFICATIONS

FOR FITTINGS MADE FROM SHEETS ASTM A240 SHALL BE APPLIED AS FLOWS.

Type	Carbon Max. Percent	Manganese Max. Percent	Phosphorus Max. Percent	Sulfur Max. Percent	Silicon Max. Percent	Chromium Percent	Nickel Percent	Other Elements	T.S. Min. Ksi	Y.S. Min. Ksi	Elongation Percent	Hardness	
												HB	HRB
304	0.080	2.00	0.045	0.030	1.00	18.00 - 20.00	8.00 - 10.50		75	30	40	183	88
304L	0.030	2.00	0.045	0.030	1.00	18.00 - 20.00	8.00 - 12.00		70	25	40	183	88
316	0.080	2.00	0.045	0.030	1.00	16.00 - 18.00	10.00 - 14.00	Mo 2.00 - 3.00	75	30	40	217	95
316L	0.030	2.00	0.045	0.030	1.00	16.00 - 18.00	10.00 - 14.00	Mo 2.00 - 3.00	70	25	40	217	95

FOR FITTINGS MADE FROM SEAMLESS AND WELDED PIPES ATSM A312 SHALL BE APPLIED AS FLOWS.

Grade	Carbon Max. Percent	Manganese Max. Percent	Phosphorus Max. Percent	Sulfur Max. Percent	Silicon Max. Percent	Chromium Percent	Nickel Percent	Other Elements	T.S. Min. Ksi	Y.S. Min. Ksi
TP 304	0.080	2.00	0.040	0.030	0.75	18.00 - 20.00	8.00 - 11.00		75	30
TP 304L	0.035	2.00	0.040	0.030	0.75	18.00 - 20.00	8.00 - 13.00		70	25
TP 316	0.080	2.00	0.040	0.030	0.75	16.00 - 18.00	11.00 - 14.00	Mo 2.00 - 3.00	75	30
TP 316L	0.035	2.00	0.040	0.030	0.75	16.00 - 18.00	10.00 - 15.00	Mo 2.00 - 3.00	70	25

TOLERANCE OF BUTT-WELDING FITTINGS IN JIS AND ASTM

Nominal Pipe Size (inch)	Outside Diameter (OD)	
	JIS (mm)	ASTM (mm)
1/2"	21.3 - 21.7 - 22.5	20.9 - 21.3 - 22.1
3/4"	26.8 - 27.2 - 28.0	26.3 - 26.7 - 27.5
1"	33.6 - 34.0 - 34.8	33.0 - 33.4 - 34.2
1-1/4"	42.3 - 42.7 - 43.5	41.8 - 42.2 - 43.0
1-1/2"	48.2 - 48.6 - 49.4	47.6 - 48.3 - 49.5
2"	60.1 - 60.5 - 61.3	59.8 - 60.3 - 61.1
2-1/2"	75.9 - 76.3 - 77.1	72.9 - 73.0 - 73.8
3"	88.7 - 89.1 - 89.9	88.5 - 88.9 - 89.4
3-1/2"	101.2 - 101.6 - 102.4	101.2 - 101.6 - 102.4
4"	113.5 - 114.3 - 115.1	113.5 - 114.3 - 115.1

Nominal Pipe Size (Inch)	Outside Diameter (OD)	
	JIS (mm)	ASTM (mm)
5"	139.0 - 139.8 - 140.6	140.5 - 141.3 - 142.1
6"	164.4 - 165.2 - 164.4	167.5 - 168.3 - 169.5
8"	215.5 - 216.3 - 217.5	218.3 - 219.1 - 220.3
10"	265.8 - 267.4 - 269.0	271.5 - 273.1 - 275.0
12"	316.9 - 318.5 - 320.5	322.3 - 323.9 - 325.9
14"	354.0 - 355.6 - 357.6	354.0 - 355.6 - 357.6
16"	404.8 - 406.4 - 408.4	404.8 - 406.4 - 410.0
18"	455.6 - 457.2 - 459.2	455.6 - 457.2 - 459.2
20"	506.6 - 508.0 - 511.0	505.6 - 508.0 - 511.0
24"	607.2 - 609.6 - 612.6	607.2 - 609.6 - 612.6



BUN KEE (INT'L) LIMITED
彬記(國際)有限公司

世貿彬記集團有限公司之全資附屬機構-香港聯合交易所會員

Head Office

12/F., Phase 1, Austin Tower, 22-26 Austin Avenue, T.S.T. Kowloon, Hong Kong

Tel : (852) 2728 7237

Fax : (852) 2387 2999

E-mail : info@bunkee.com

Warehouse

Sections M and N of Lot no. 3719 in DD104, YuenLong, New Territories

Tel : (852) 2471 9048

Fax : (852) 2482 1298

Retail Shops

Mongkok

G/F., 618 Shanghai Street, Mongkok, Kowloon

Tel : (852) 2395 0181

Fax : (852) 2787 3421

Yuen Long

G/F., No.30 Hop Yick Road, Yuen Long, N.T.

Tel : (852) 2473 3660

Fax : (852) 2442 2766

Wanchai

Shop A, G/F., No. 7-11 Tai Wong Street East, Wanchai, Hong Kong

Tel : (852) 2866 6001

Fax : (852) 2866 6339